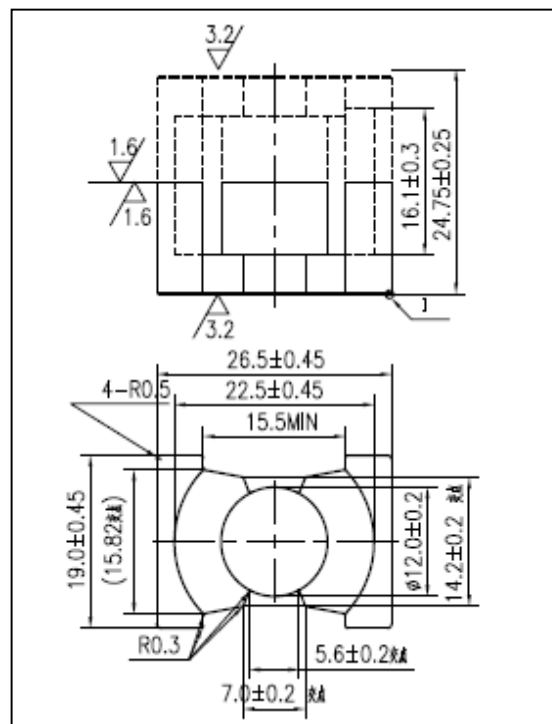


## CORE SETS

## Effective core parameters

SYMBOL	PARAMETER	VALUE	UNIT
$\Sigma (1/A)$	core factor ( $C_1$ )	0.47	$\text{mm}^{-1}$
$V_e$	effective volume	6549.0	$\text{mm}^3$
$l_e$	effective length	55.5	mm
$A_e$	effective area	118.0	$\text{mm}^2$
$A_{\min}$	minimum area	108.0	$\text{mm}^2$
$W_t$	mass of core set	$\approx 36.0$	g



## Characteristic

GRADE	AL ( $\text{nH}/\text{N}^2$ )	B (mT)	CORE LOSS (W)	
	f=10kHz U=0.25V	H=250A/m f=25kHz T=100°C	f=100kHz B=200mT T=100°C	
DMR24	4000 ± 25%	≥ 325	≤ 4.86	
DMR40	4800 ± 25%	≥ 315	≤ 5.04	
DMR44	4800 ± 25%	≥ 315	≤ 4.32	
DMR47	5200 ± 25%	≥ 325	≤ 3.42	
DMR90	4500 ± 25%	≥ 325	≤ 4.68	
DMR95	5600 ± 26%	≥ 315	≤ 3.80	

GRADE	AL ( $\text{nH}/\text{N}^2$ )	B (mT)	CORE LOSS (W)	
	f=10kHz U=0.25V	H=250A/m f=25kHz T=100°C	f=500kHz B=50mT T=100°C	f=3MHz B=10mT T=100°C
DMR55	3800 ± 25%	≥ 300	≤ 2.16	—
DMR50	3200 ± 25%	≥ 300	≤ 1.05	—