



a

b

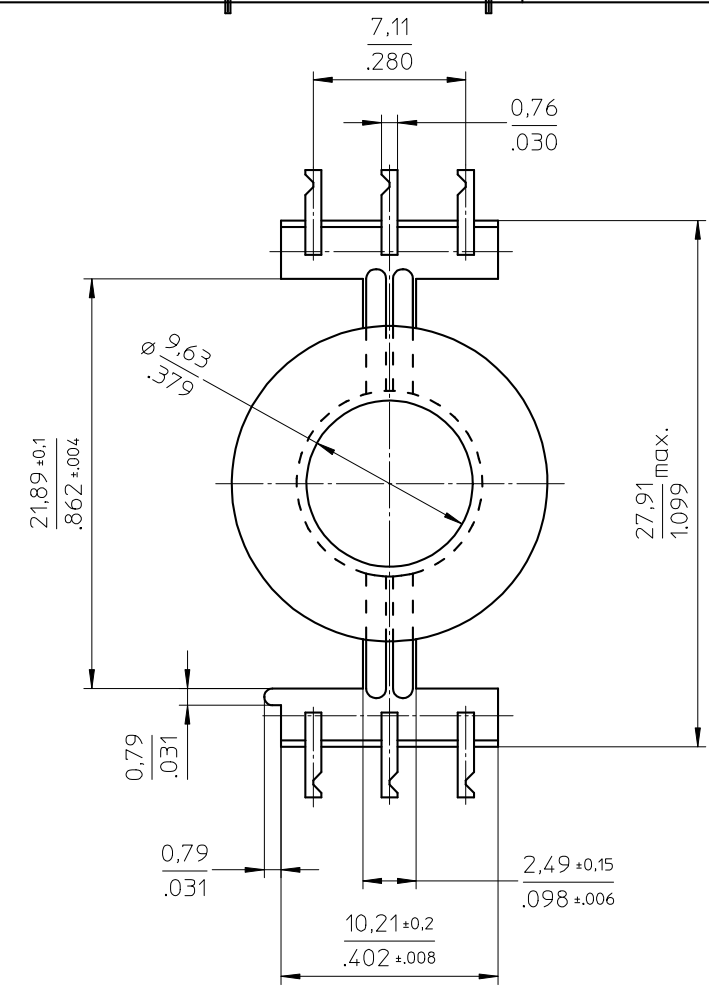
c



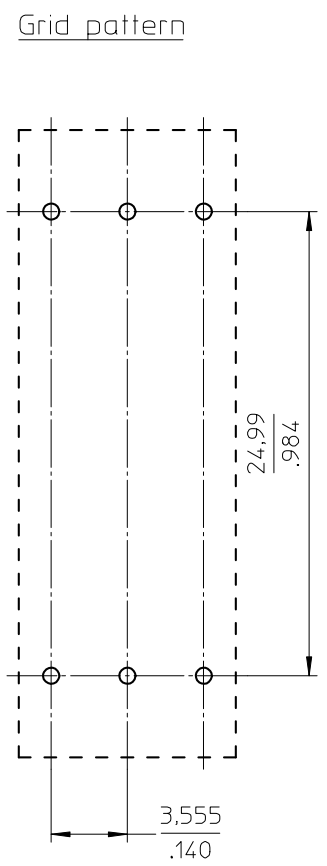
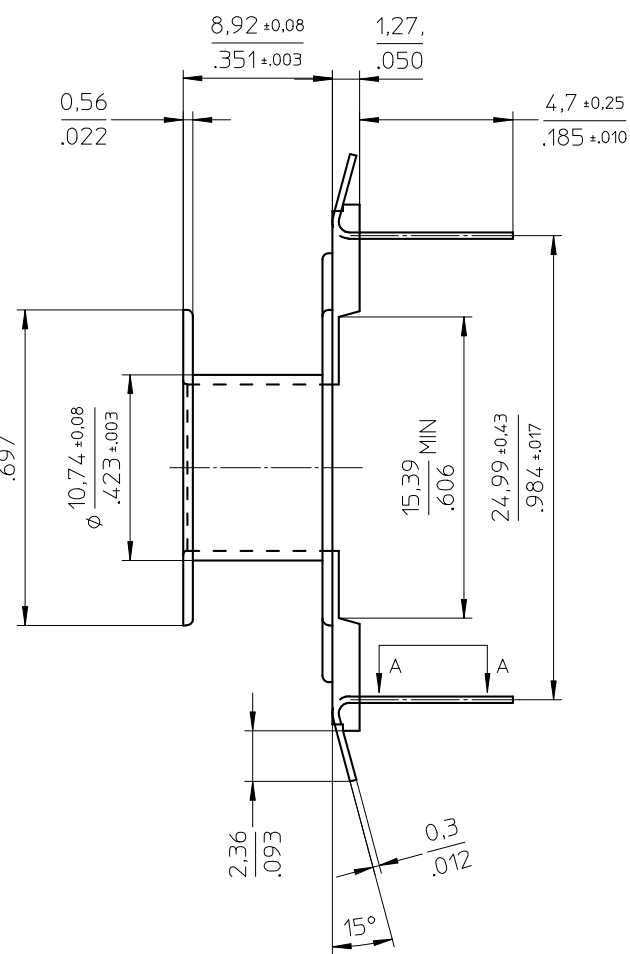
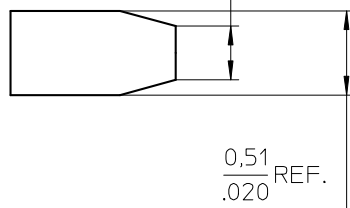
d

e

f



VIEW A - A  
(ENLARGED)



Coil former material: Zytel FR50 (PA6.6), glass-reinforced.  
 UL file number: E41938 - UL94V-0.  
 max. operating temp: 130°C, class B  
 pin material: brass, Ni flash, Sn plated.  
 solderability: acc. to IEC 60 068-2-20 part2, Test Ta method 1, 235°C-2sec.  
 mean length of turn: 1.759 inch (44.7 mm)  
 winding area: 0.042 sq. inch (27.1 mm<sup>2</sup>)

Dimensions [ mm / inch ]

CLASSNO.		CPV-P22/13-1S-6PD-Z		4335 060 26521		05-12-07 07-12-19	
NAME NAAM	Wojtasz	SUPERS. BL		SPSH BL	112 - 001	A3	
MPA	CHECK CONTR.	DAT.	05-12-07	Property of Eigenaam van	© FERROXCUBE 2000		