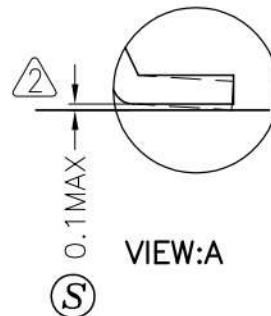
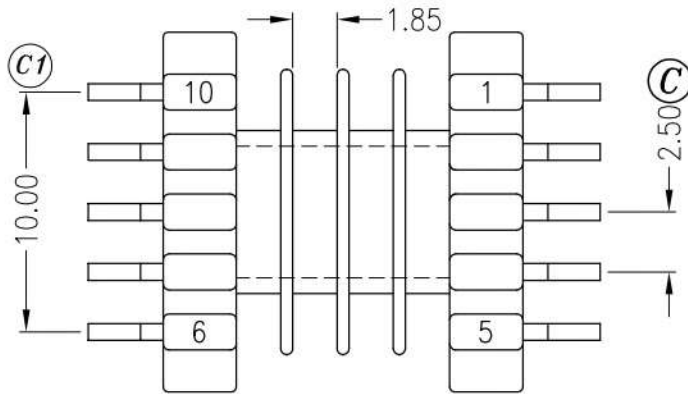
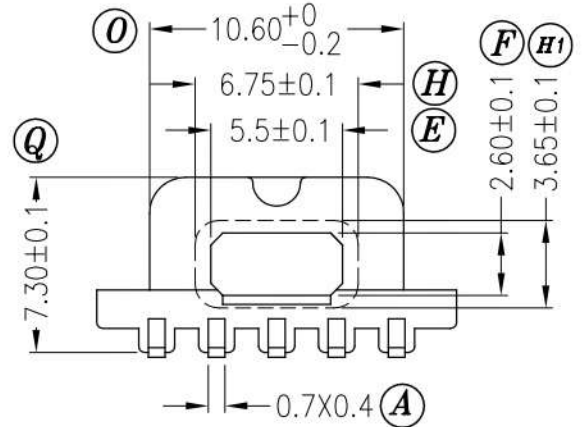
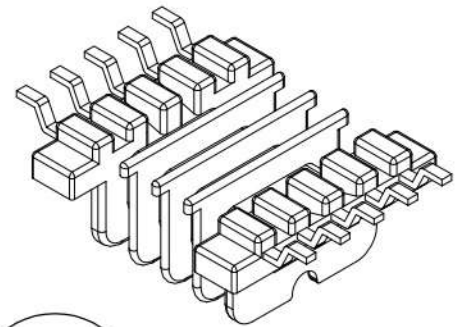


VIEW:A



VIEW:A



REV.	REVISIONS REC.	DATE	REV.	REVISIONS REC.	DATE
1	UPDATE FORMAT	'04.05.20			
2	ADD A DIMENSION:(S),AND CORRECT DIM.(T1)&(T2).	'05.04.28			

DRAWN & DRAFTED BY	TOLERANCES		ANGLE:	TITLE:	
	0<L≤4 ±0.1	pin pitch ±0.2	±1°	SMD BOBBIN EFD-15	
CHECKED & APPROVED BY	4<L≤16 ±0.2		UNIT:	BOBBIN MATERIAL:	UL REC.
	16<L≤63 ±0.3		MM	LCP E4008	UL 94V-0
LEPCOS (North-West Laboratory) http://ferrite.ru Tel/fax +7-812-369-11-54 St-Petesburg, Russia			ORIGIN:	PIN MATERIAL:	PIN TENSION LOAD:
			DG	PHOSPHOR BRONZE	1.0KG MIN
			DATE:	DRAWING NO.	REV.
				E-029	2