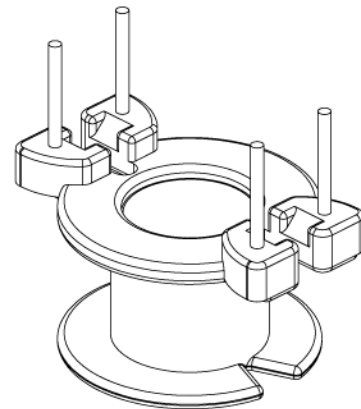
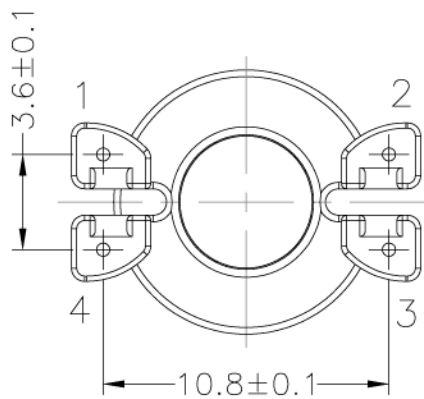
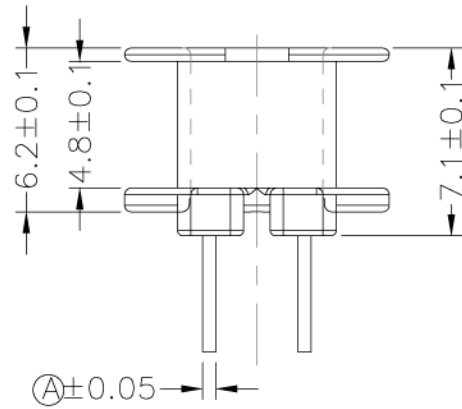
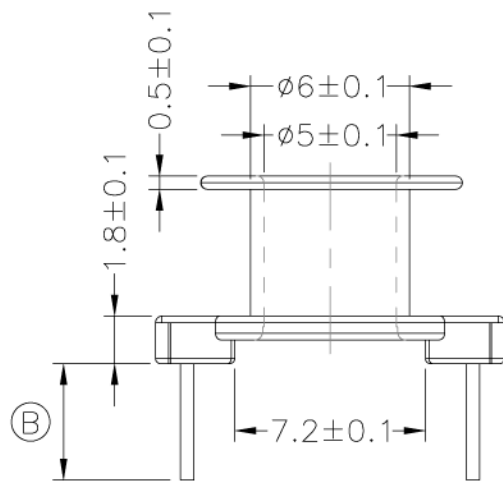
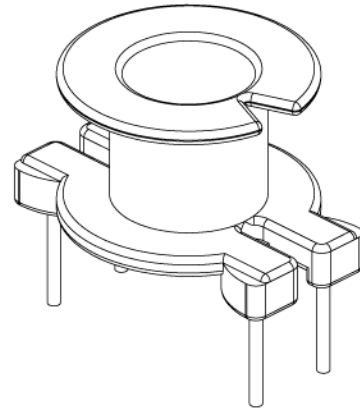
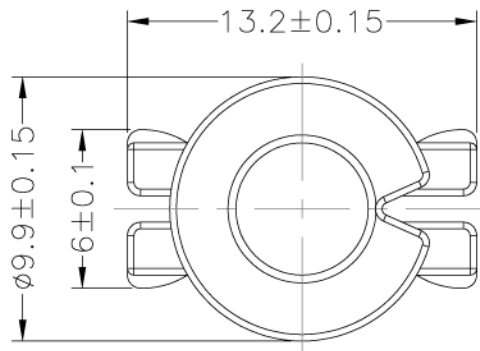


LEPCOS (North-West Laboratory)

http://ferrite.ru Tel/fax +7-812-369-11-54
St-Petesburg, Russia

REVISIONS

REV	SYM	DRAFTER	CHECKER	DATE
△6		T.S.LII	W.H.HSU	07/24/06
△7		Y.G.HSU	W.H.HSU	03/26/07
△8		S.Y.TANG	W.H.HSU	04/11/07



DWG NO. Bobbin RM5 1 sec 4 pin E-042

PART NO. MATERIAL (BOBBIN) MATERIAL (TERMINAL) TERMINAL (PLATING) PIN ALLOCATION NOTE

E-042 PM-9630 CP WIRE Sn ALL PIN (B) = 4.4±0.3 (A) = ∅0.5

TOLERANCE: .X±0.15 .XX±0.10 .XXX±0.05 UNIT : m / m SCALE 3.5 : 1

Finish: 1. PB wire Immersion Sn on terminal : Thickness:Sn plating,100,5 μm (200 μ inches) min,Base nickel 0.625 μm (25 μ inches) min.
2. CP wire Immersion Sn on terminal : Thickness:Sn plating,100,5 μm (200 μ inches) min.
3. Coplanarity deviation: 0.10 mm (0.004 inches) max.

REV 8