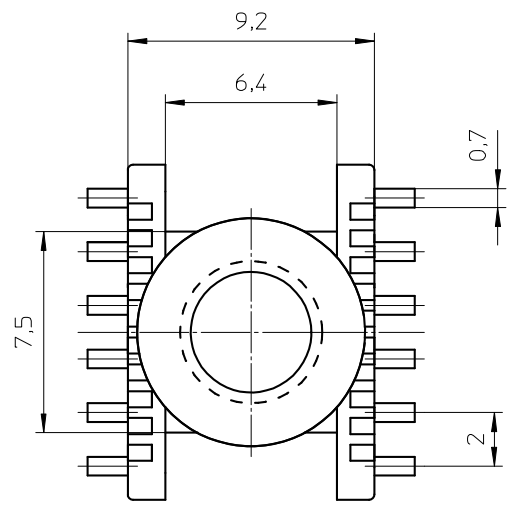
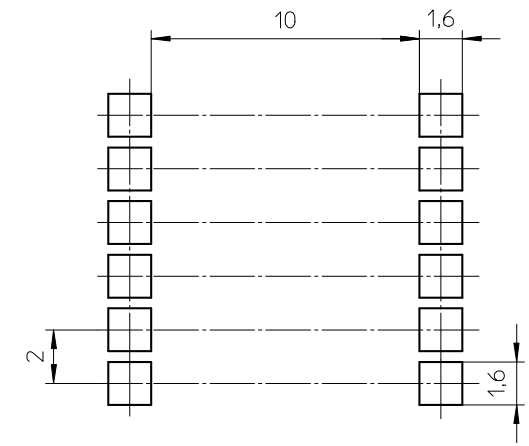


**PROPOSED PAD ARRANGEMENT:**



Coil former material: Sumikasuper E4008 (LCP), glass-reinforced.  
 UL file number: E54705 - UL94V-0  
 Pin material: CuSn - Ni flash, Sn plated.  
 Max. operating temp.: acc. to IEC 60085 class F, 155°C.  
 Resistance to soldering heat: acc. to IEC 60068-2-20 Test Ta, method 1B, 350°C - 3,5sec.  
 Solderability: acc. to IEC 60068-2-20 Part 2, Test Ta, method 1, 235°C - 2sec.  
 Min. winding area: 2.8 mm<sup>2</sup>  
 Mean length of turn: 21.6 mm.

CLASSNO.		CPVS-ER11-1S-12P-Z		4322 021 07261		2011-11-03	
NAME NAAM	M.Tryngiel	SUPERS. VERV.	1	SP/SH RL/BL	112 - 001	069	A3
MPA	CHECK CONTR.	DAT.	11-11-03	Property of Eigendom van	© FERROXCUBE 2000		