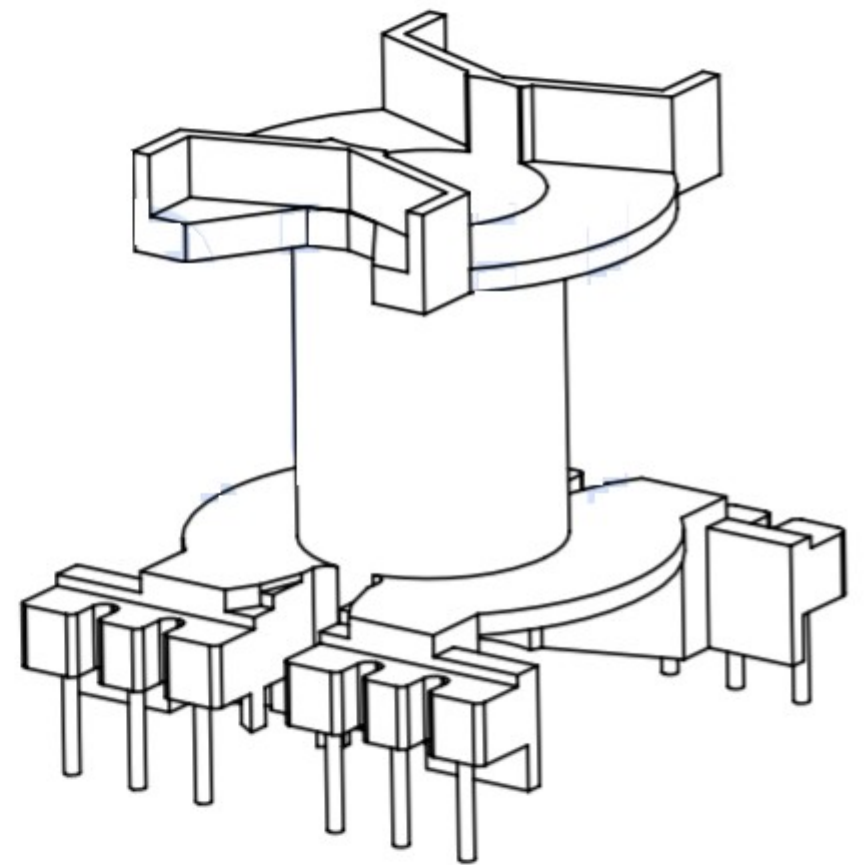
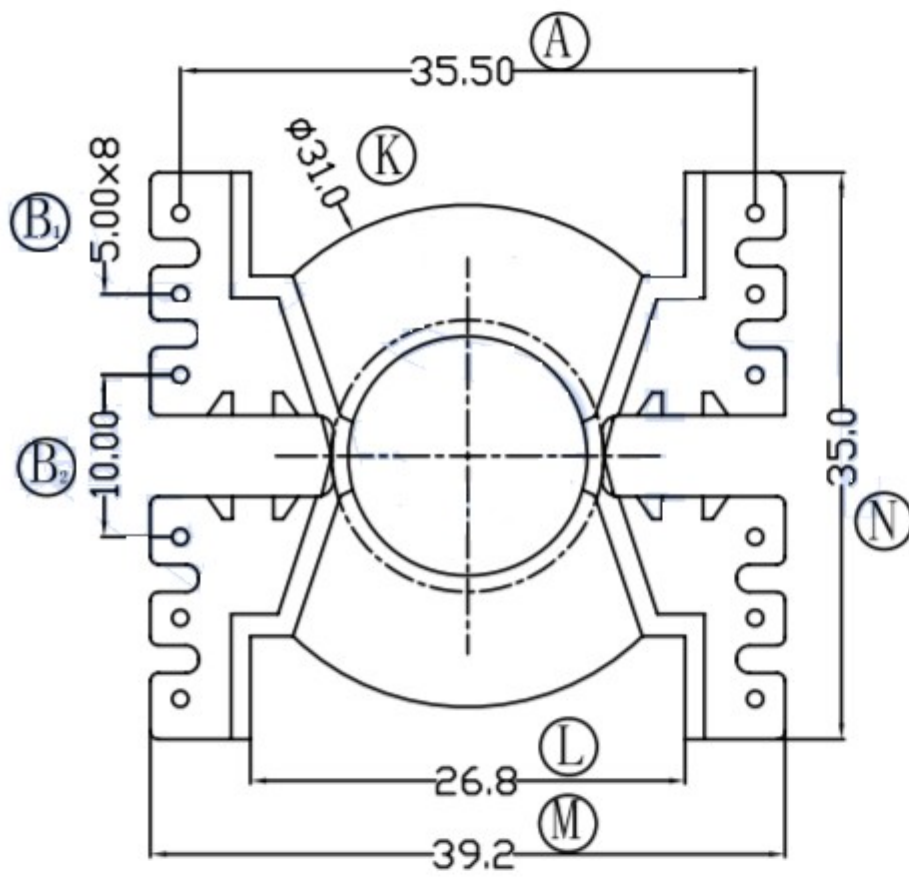
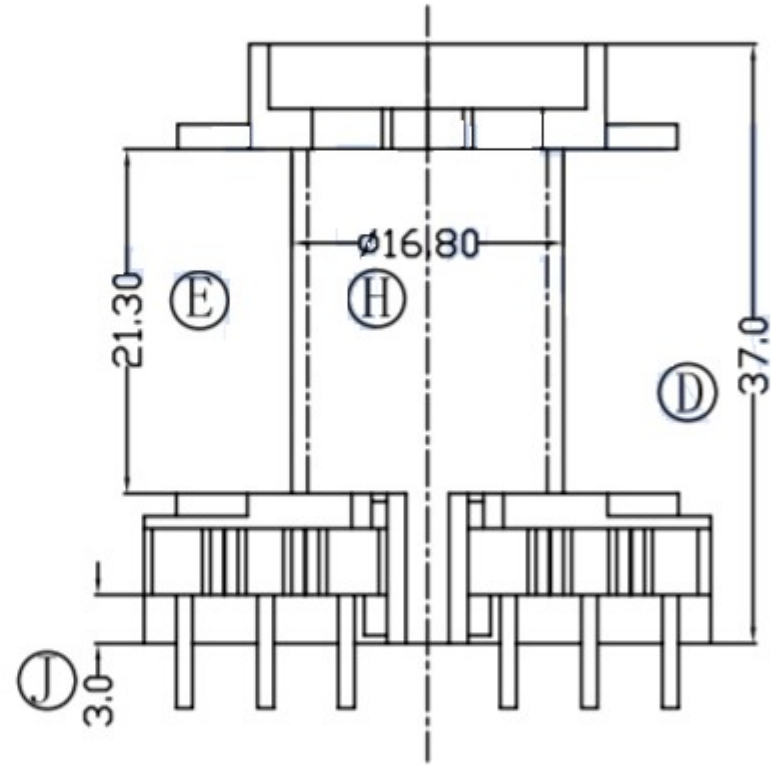
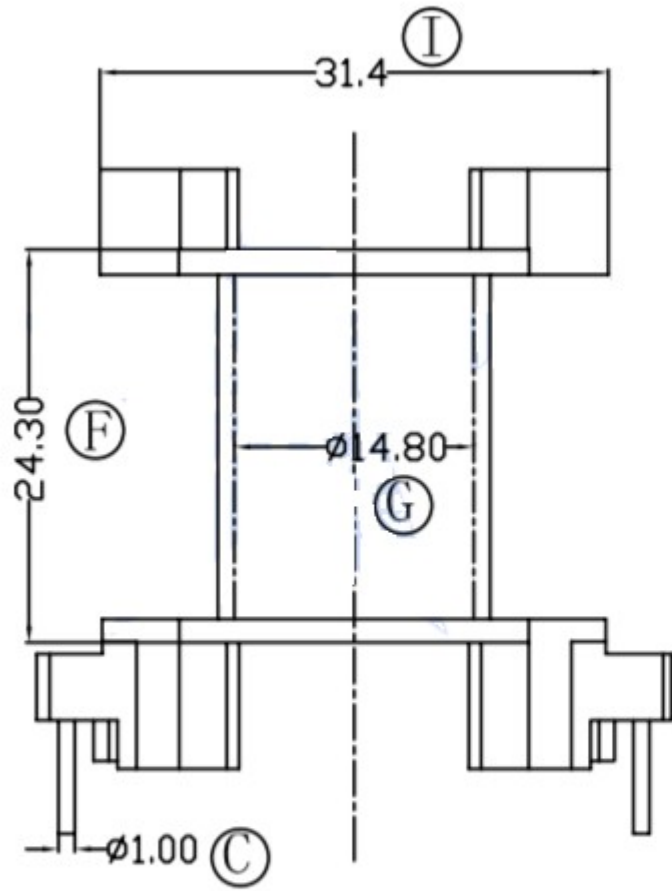


P/N

SR-PQ 3501



LEPCOS (NWL) [www.ferrite.ru](http://www.ferrite.ru)

SR NO.  
**SR-PQ 3501**

MATERIAL:  
PHENOLIC  
UL REC: UL 94V-0

UNIT: mm  
**TOLERANCE**  
0 < L ≤ 4 ±0.10  
4 < L ≤ 16 ±0.20  
16 < L ≤ 64 ±0.30  
PIN PITCH ±0.05

**PQ3535-12P-1S V**

ANGLE: ± °  
SCALE 1:1