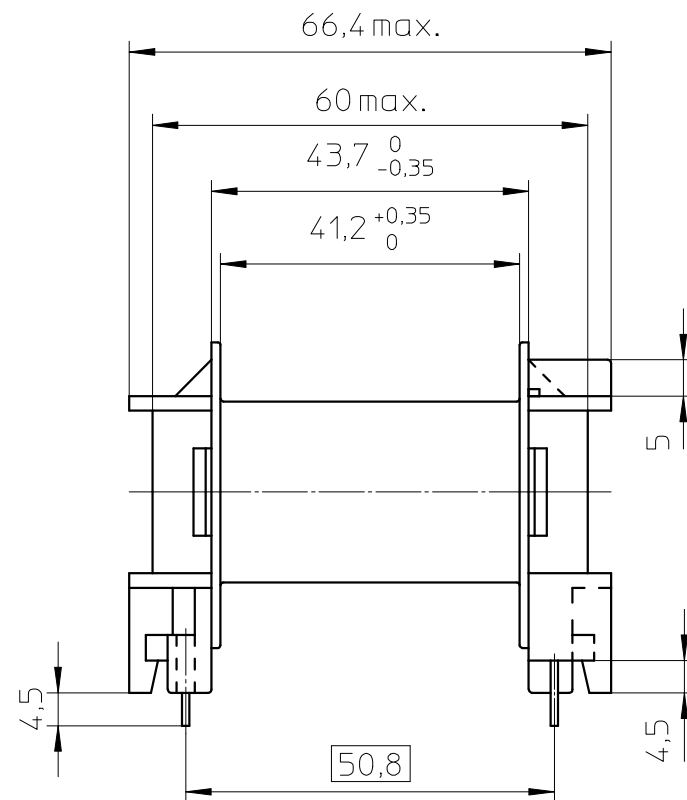
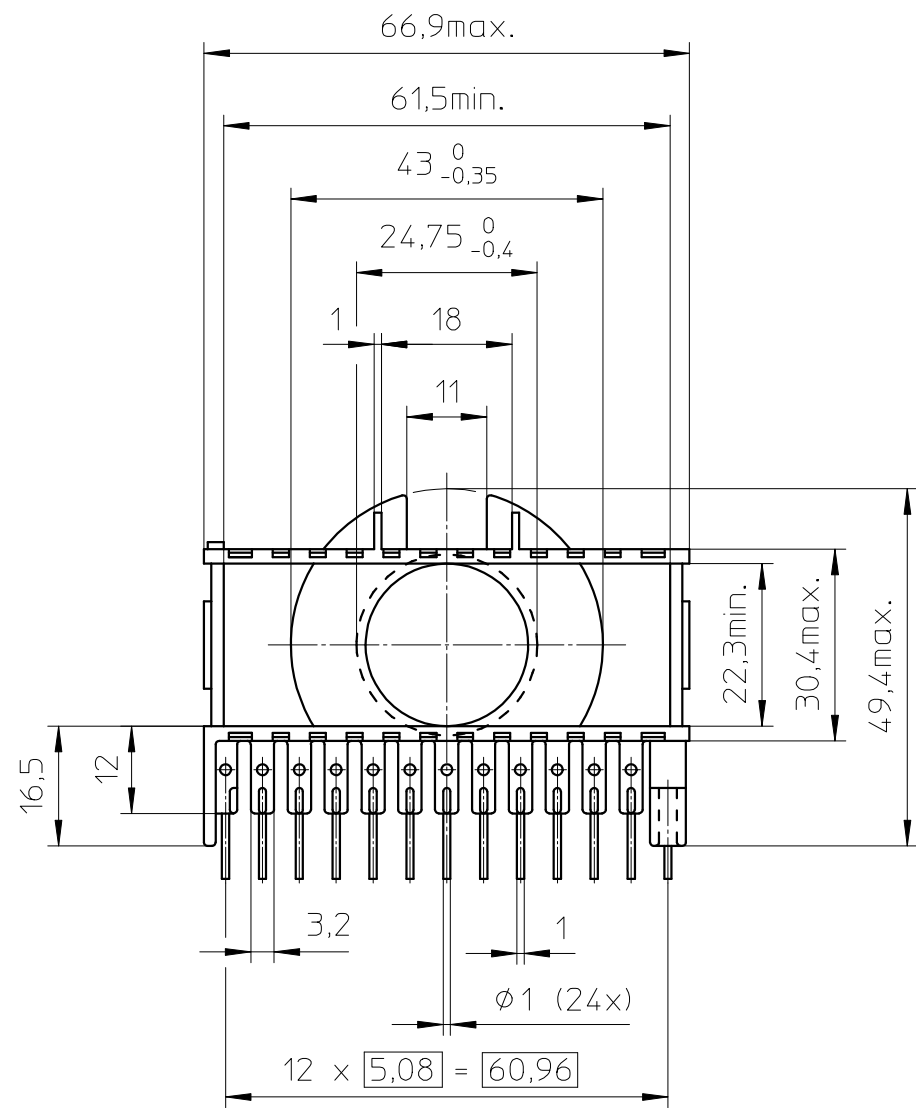
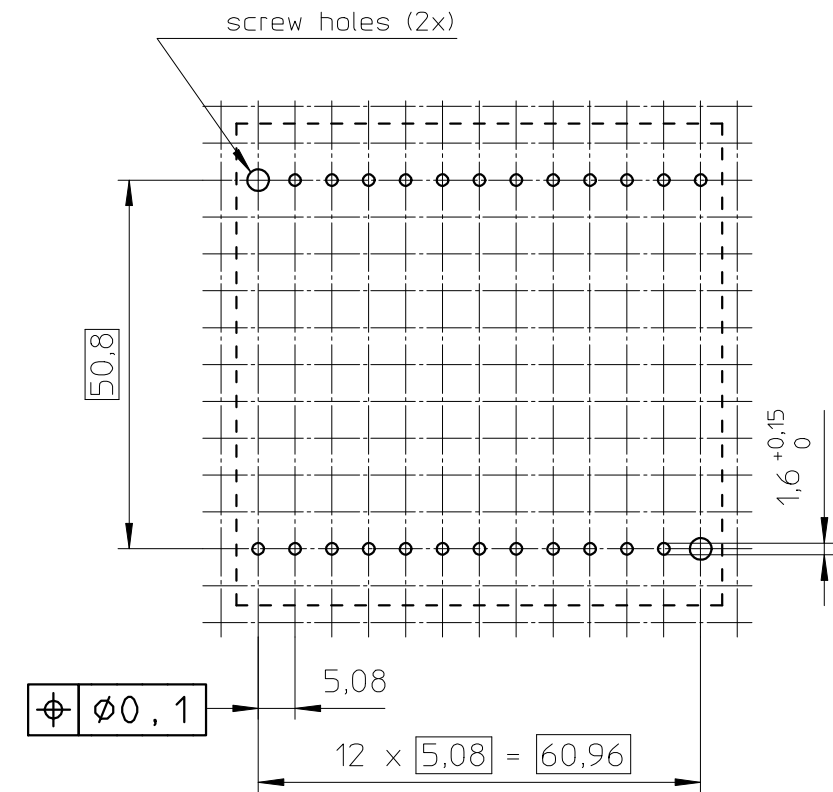
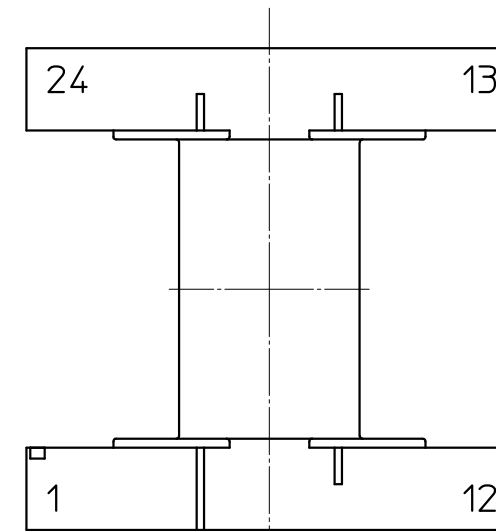


FERROXCUBE



PIN ARRANGEMENT:



Coil former material: Valox 420SEO (PBT), glass-reinforced.

UL file number: E45329 - UL94V-0.

Pin material: CuSn - Ni flash, Sn plated.

Max. operating temp.: acc to IEC 60 085 class F, 155°C.

Resistance to soldering heat: acc to IEC 60 068-2-20 Part 2, Test Tb, method 1B, 350°C-3,5s

Solderability: acc to IEC 60 068-2-20 Part 2, Test Ta, method 1, 235°C-2s

Winding area: 365,7 mm².

Mean length of turn: 106 mm.

CLASS.NO.	CPH-ETD59-1S-24P		4322 021 00691		01-04-04
01-05-21					01-05-21
					02-10-17
					2004-09-28
					2005-09-01
NAME NAAM	M.Veekens	SUPERS. VERY.	001	SH BL.	112 - 001
MPA	CHECK CONTR.	DAT.	92-12-15	Property of Eigendom van	© FERROXCUBE 2000
					069
					A3