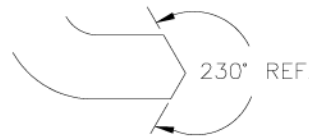
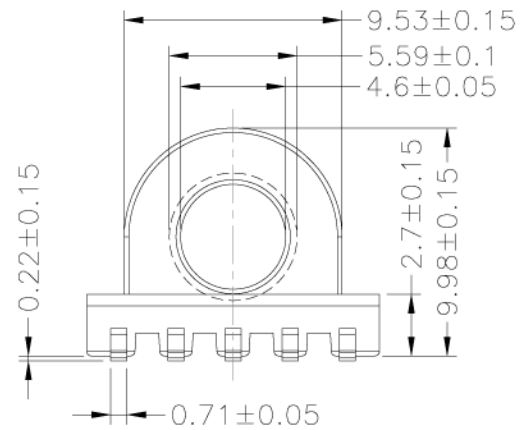
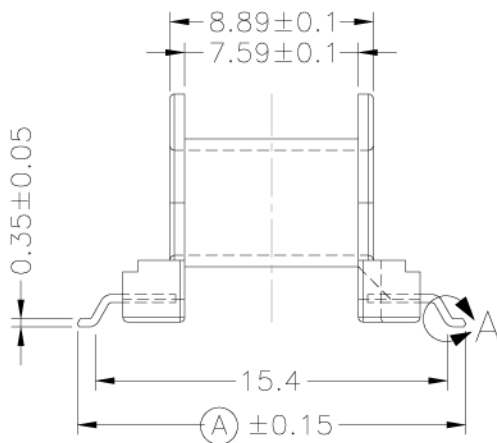
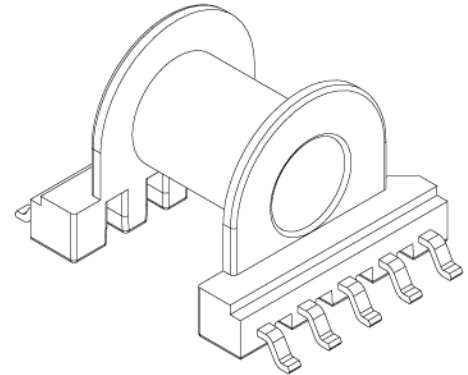
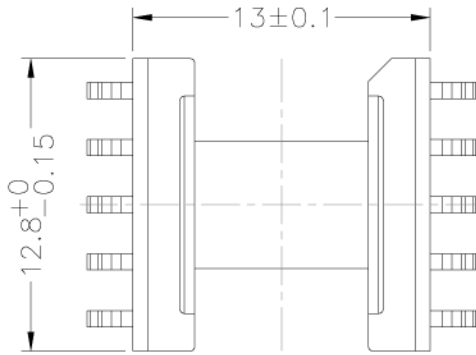


LEPCOS (North-West Laboratory)

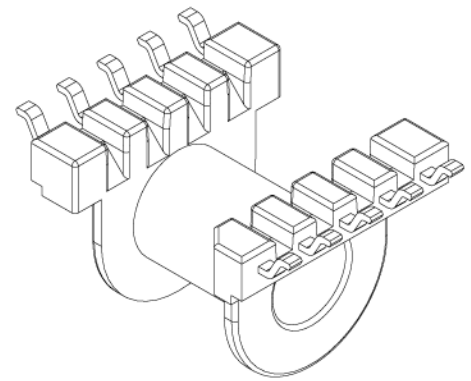
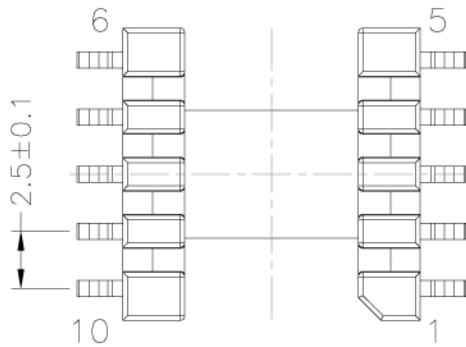
http://ferrite.ru Tel/fax +7-812-369-11-54
St-Petesburg, Russia

REVISIONS

REV	SYM	DRAFTER	CHECKER	DATE
1		K.F.YANG	S.M.SHIH	11/11/06
2		K.F.YANG	S.M.SHIH	03/12/07
3				

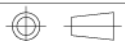


DETAIL:A
PATENTED



DWG NO. Bobbin EP13 1 sec 10 pin SMD E-014

PART NO.	MATERIAL (BOBBIN)	MATERIAL (TERMINAL)	TERMINAL (PLATING)	PIN ALOCATION	NOTE
E-014	PM-9630JT	P.B	Sn	ALL PIN A = 16.99±0.15	



TOLERANCE: .X±0.15 .XX±0.10 .XXX±0.05

UNIT : m / m

SCALE 3: 1

Finish: 1. Pb wire Immersion Sn on terminal : Thickness:Sn plating,100,5 μm (200 μ inches) min,Base nickel 0.625 μm (25 μ inches) min.
2. CP wire Immersion Sn on terminal : Thickness:Sn plating,100,5 μm (200 μ inches) min.
3. Coplanarity deviation: 0.10 mm (0.004 inches) max.

REV 2