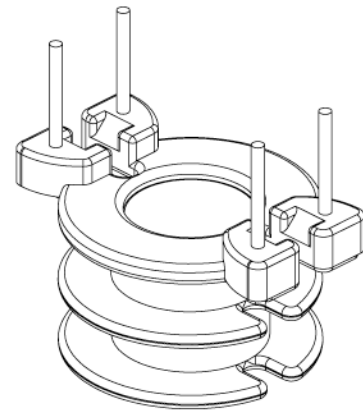
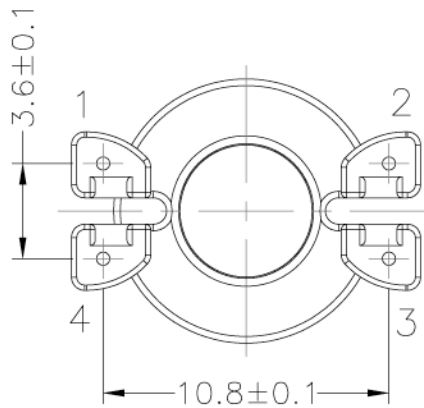
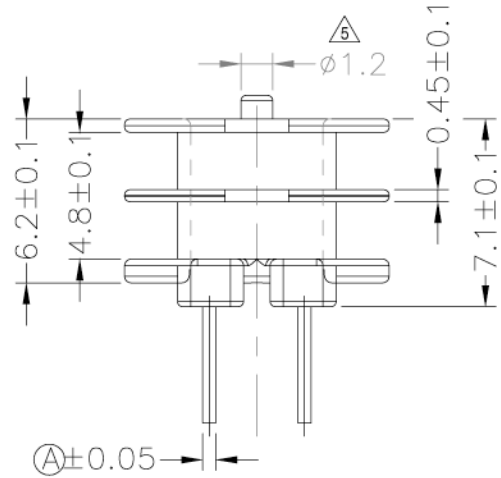
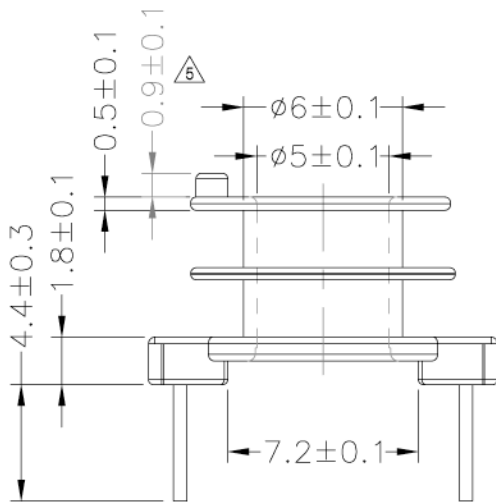
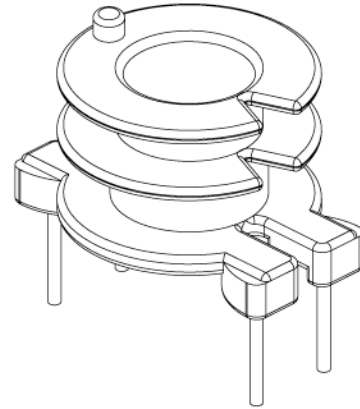
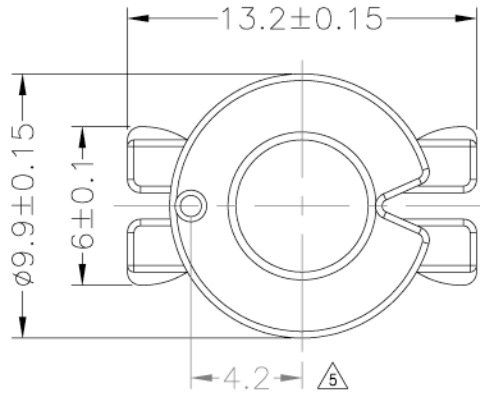


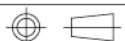
**LEPCOS (North-West Laboratory)**  
<http://ferrite.ru> Tel/fax +7-812-369-11-54

REVISIONS				
REV	SYM	DRAFTER	CHECKER	DATE
3		T.S.LII	W.H.HSU	06/02/03
4		T.S.LII	W.H.HSU	07/21/06
5		S.Y.TANG	G.F.YANG	06/26/09



DWG NO. Bobbin RM5 2sec 4 pin E-042-1

PART NO.	MATERIAL (BOBBIN)	MATERIAL (TERMINAL)	TERMINAL (PLATING)	PIN ALLOCATION	NOTE
E-042-1	PM-9630	CP WIRE	Sn	ALL PIN (A)= $\phi$ 0.5	



TOLERANCE: .X±0.15 .XX±0.10 .XXX±0.05

UNIT : m / m

SCALE 3.5 : 1

Finish: 1. PB wire Immersion Sn on terminal : Thickness:Sn plating,100,5  $\mu$  m (200  $\mu$  inches) min,Base nickel 0.625  $\mu$  m (25  $\mu$  inches) min.  
 2. CP wire Immersion Sn on terminal : Thickness:Sn plating,100,5  $\mu$  m (200  $\mu$  inches) min.  
 3. Coplanarity deviation: 0.10 mm (0.004 inches) max.

REV 5