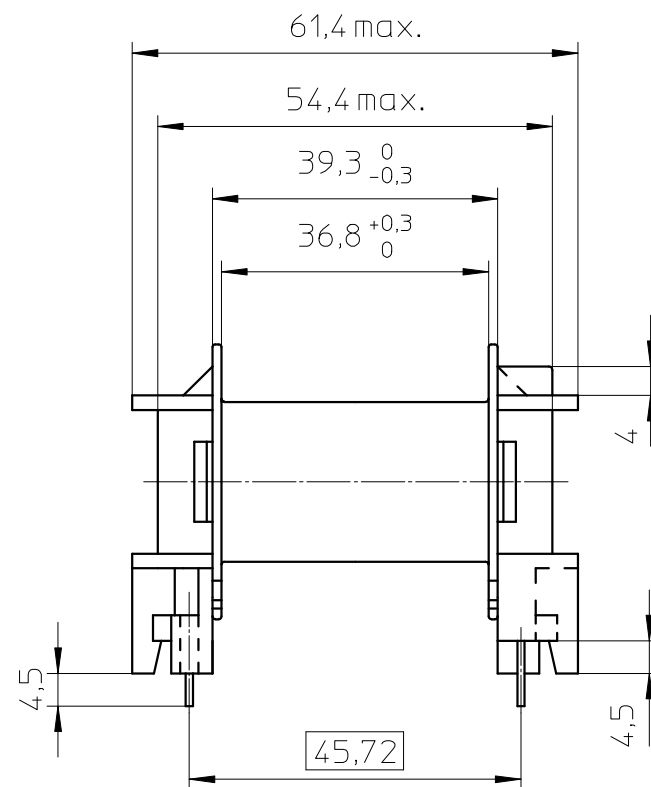
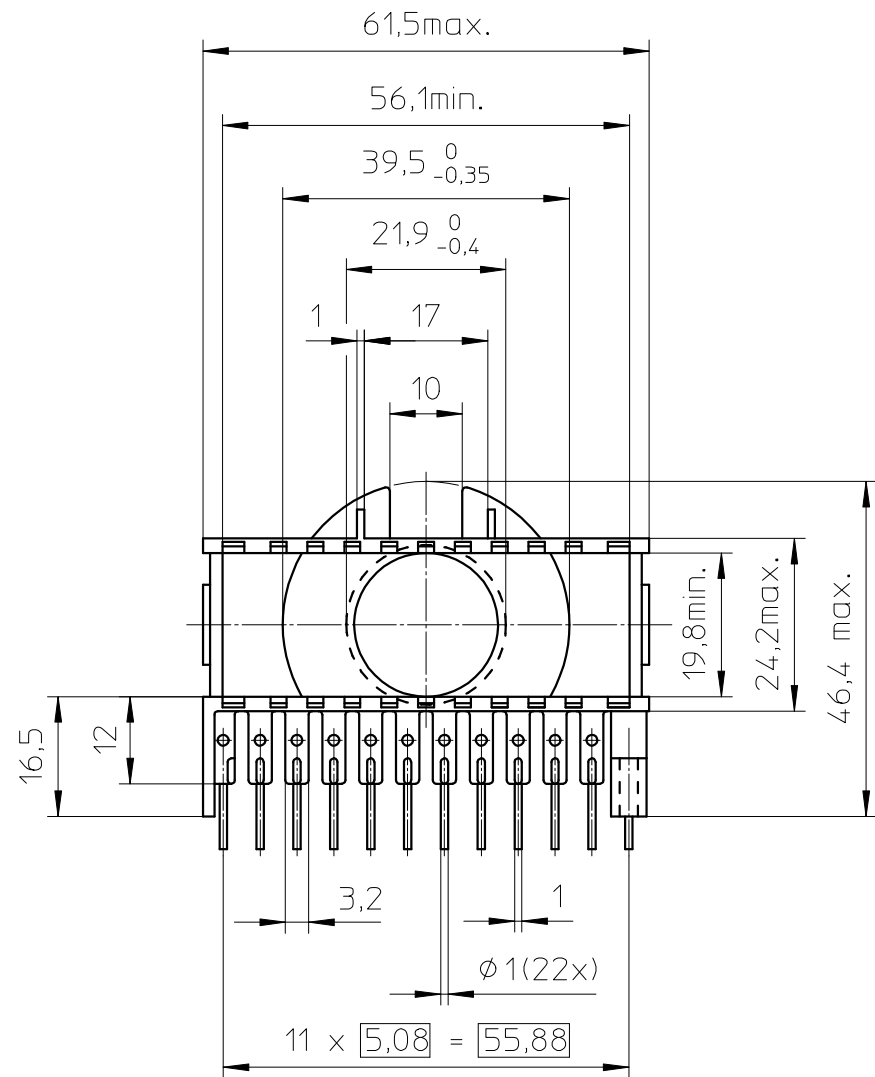
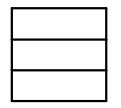
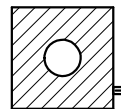
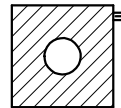
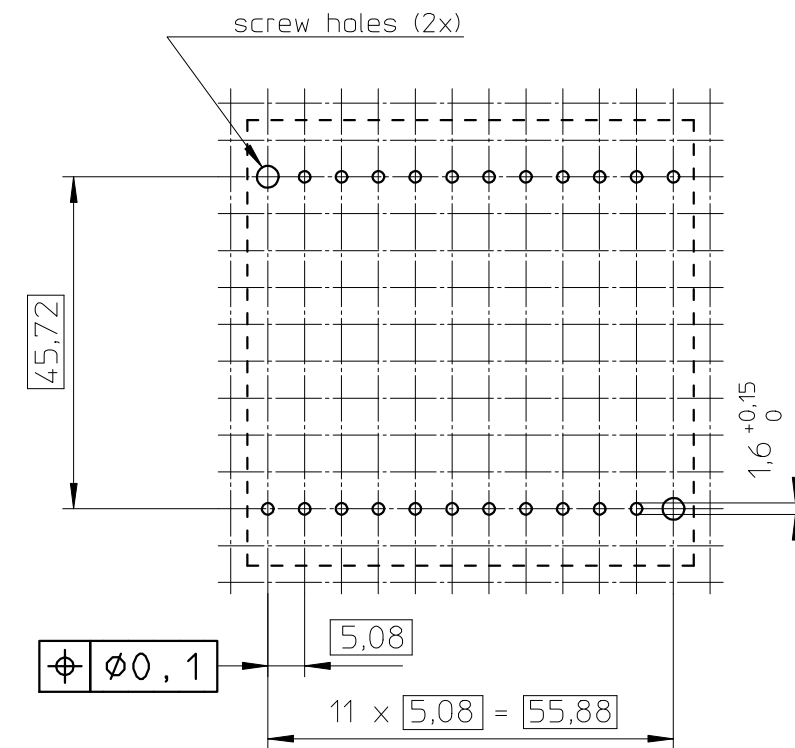
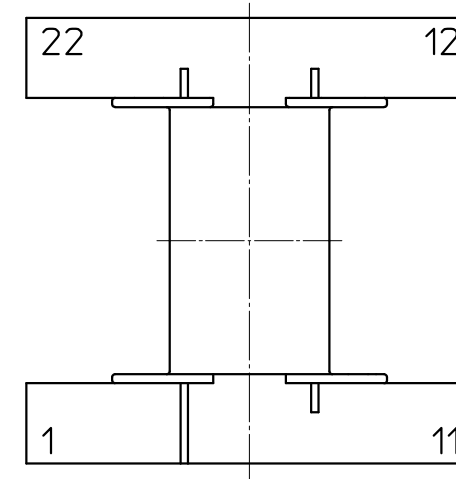


**FERROXCUBE**



PIN ARRANGEMENT:



Coil former material: Valox 420SEO (PBT), glass-reinforced.  
 UL file number: E45329 - UL94V-0.  
 Pin material: CuSn - Ni flash, Sn plated.  
 Max. operating temp.: acc to IEC 60 085 class F, 155°C.  
 Resistance to soldering heat: acc to IEC 60 068-2-20 Part 2, Test Tb, method 1B 350°C-3,5 sec.  
 Solderability: acc to IEC 60 068-2-20 Part 2, Test Ta, method 1, 235°C-2 sec.  
 Winding area: 315,6 mm<sup>2</sup>  
 Mean length of turn: 96 mm.

CLASS.NO.	CPH-ETD54-1S-22P		4322 021 00671	01-04-04
01-05-21				01-05-21
				02-10-17
				2004-09-28
				2005-09-01
NAME NAAM MPA	M.Veekens	SUPERS. VERV.	001 SH SH BL BL	112 - 001
CHECK CONTR.	DAT.	92-12-15	Property of Eigendom van	069
			© FERROXCUBE 2000	A3