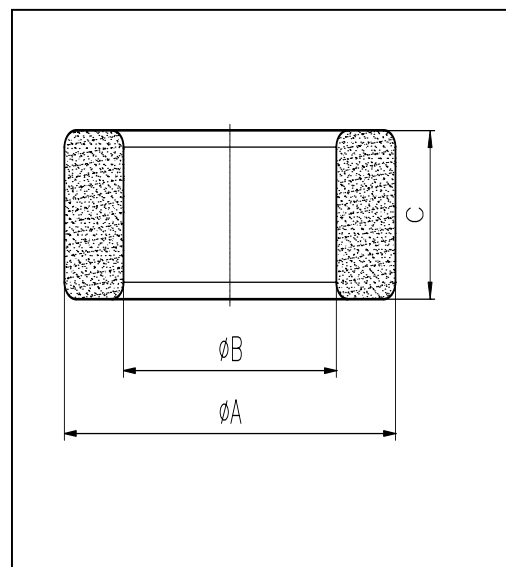


CORE SETS

Effective core parameters

SYMBOL	PARAMETER	VALUE	UNIT
$\Sigma (1/A)$	core factor (C_1)	6.12	mm^{-1}
V_e	effective volume	23.52	mm^3
l_e	effective length	12.00	mm
A_e	effective area	1.96	mm^2
W_t	mass of core	≈ 0.13	g



尺寸	A	B	C
Coat			
Uncoat	5.0 ± 0.3	3.0 ± 0.3	2.0 ± 0.3
Coated	5.7max	2.3min	2.7max

Note: With grass green epoxy coating

Characteristic

GRADE	AL (nH/N^2)	B (mT)	CORE LOSS (W)
	$f=10\text{kHz}$ $U=0.25\text{V}$	$H=250\text{A/m}$ $f=25\text{kHz}$ $T=100^\circ\text{C}$	$f=100\text{kHz}$ $B=200\text{mT}$ $T=100^\circ\text{C}$
DMR40	$500 \pm 25\%$	—	—
DMR44	$500 \pm 25\%$	—	—

GRADE	AL (nH/N^2)	μ_i
	$f=10\text{kHz}$ $U=0.25\text{V}$	$f=10\text{kHz}$ $U=0.25\text{V}$
R4K	$877 \pm 25\%$	≈ 4300
R5K	$1020 \pm 25\%$	≈ 5000
R7K	$1430 \pm 25\%$	≈ 7000
R10K	$2040 \pm 30\%$	≈ 10000