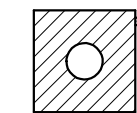


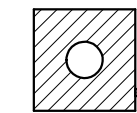
**FERROXCUBE**



c



d



e

f



Dimensions [  $\frac{\text{mm}}{\text{inch}}$  ]

1

2

3

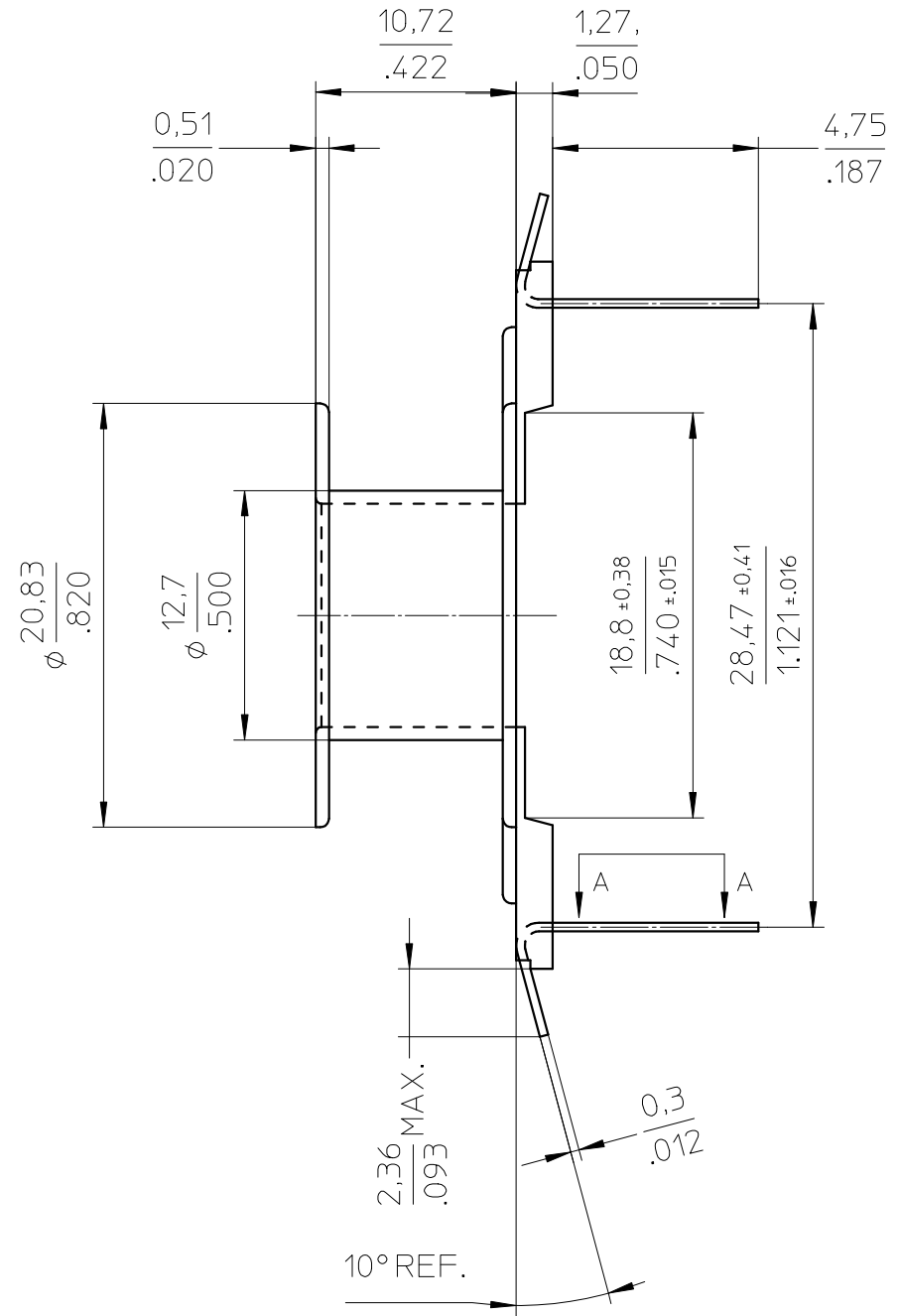
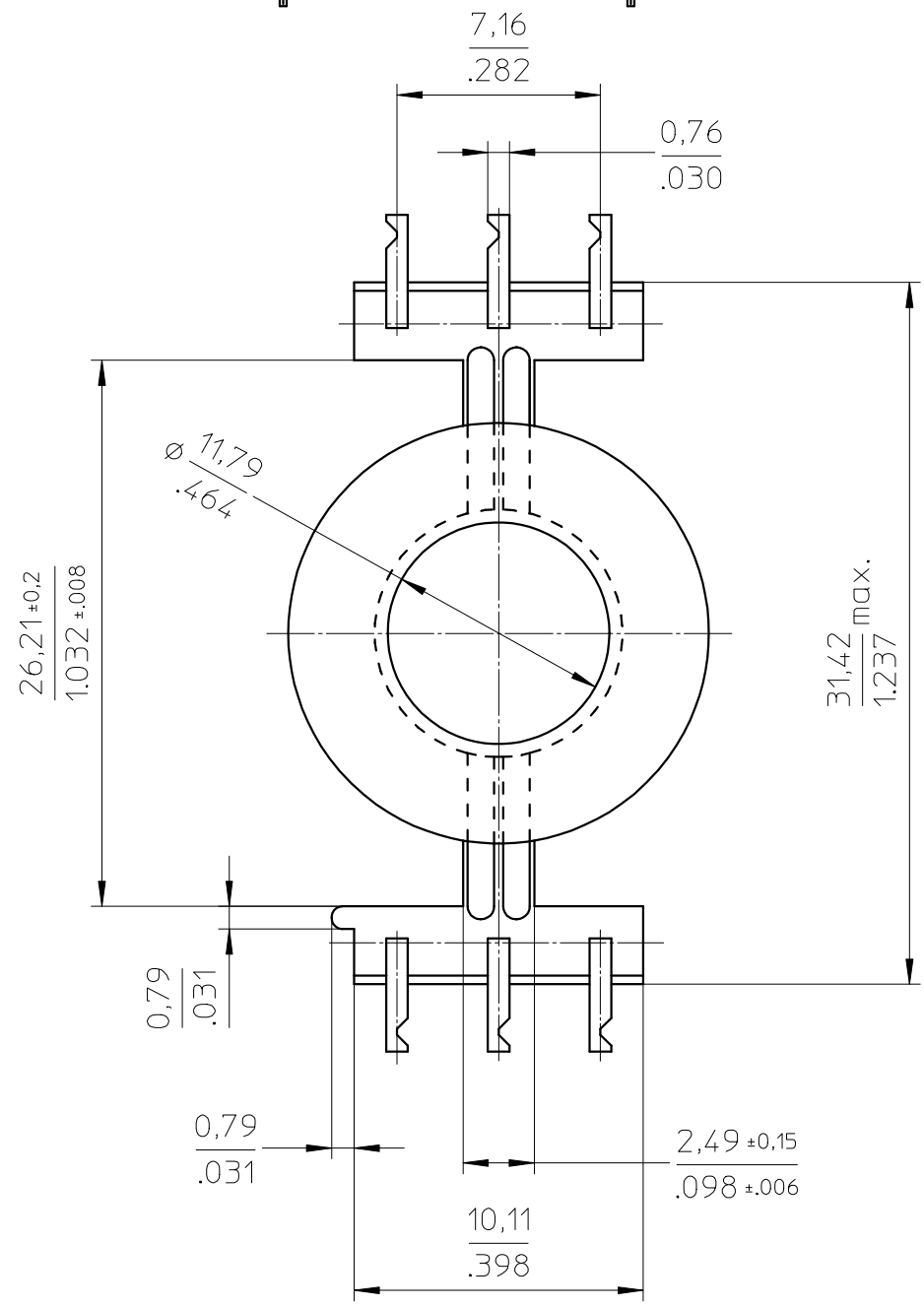
4

5

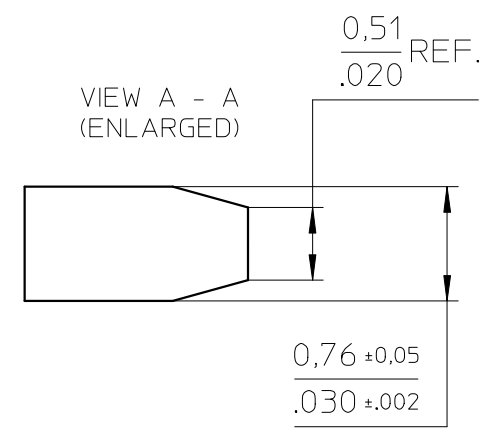
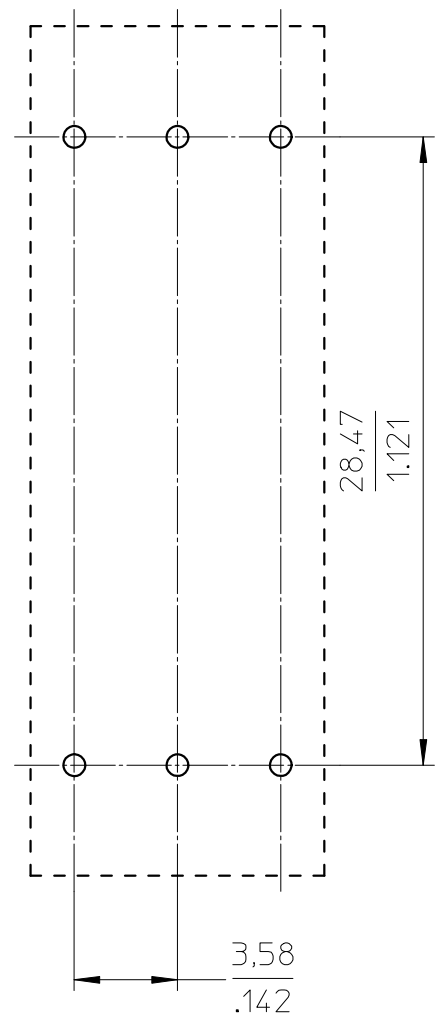
6

7

8



Grid pattern



Coil former material: Zytel FR50 (PA6.6), glass-reinforced.  
 UL file number: E41938 - UL94V-0.  
 max. operating temp: 130°C, class B  
 pin material: brass, Ni flash, Sn plated.  
 solderability: acc. to IEC 60 068-2-20 part2, Test Ta method 1, 235°C-2sec.  
 mean length of turn: 2.073 inch (52.7 mm)  
 winding area: 0.061 sq. inch (39.4 mm<sup>2</sup>)

|              |                     |                  |                             |                   |
|--------------|---------------------|------------------|-----------------------------|-------------------|
| CLASS.NO.    | CPV-P26/16-1S-6PD-Z |                  | 4335 060 26581              | 06-04-19          |
| NAME<br>NAAM | A.Wojtasz           | SUPERS.<br>VERV. | SH SH<br>BL BL 112 - 001    | A3                |
| MPA          | CHECK<br>CONTR.     | DAT.             | Property of<br>Eigendom van | © FERROXCUBE 2000 |
|              |                     | 06-01-19         |                             |                   |