

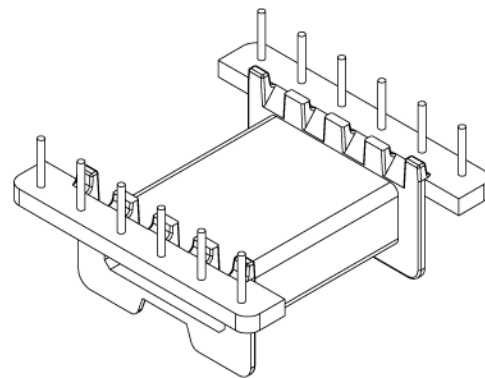
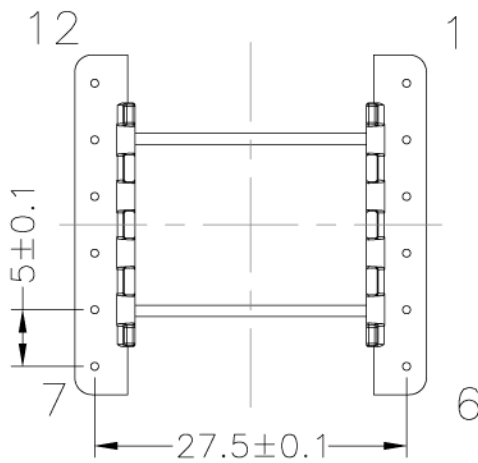
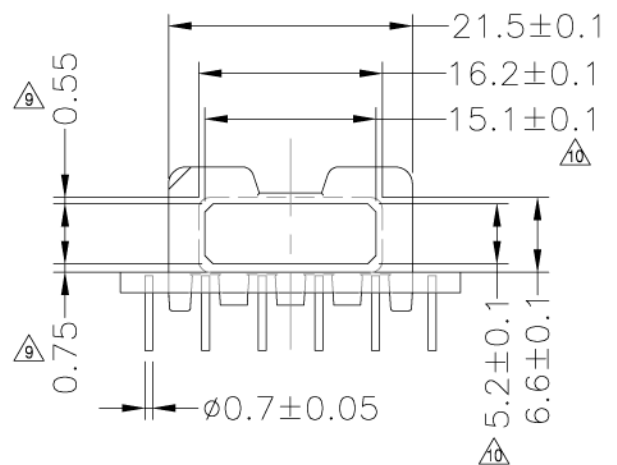
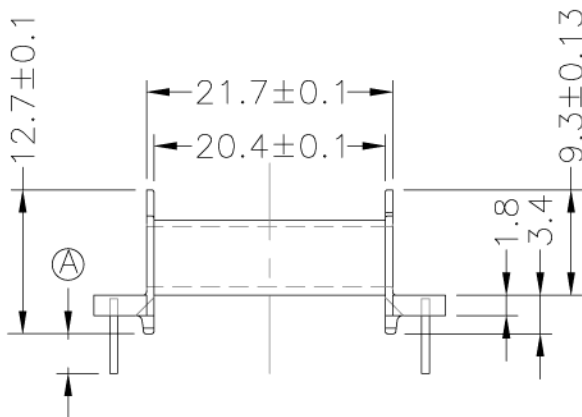
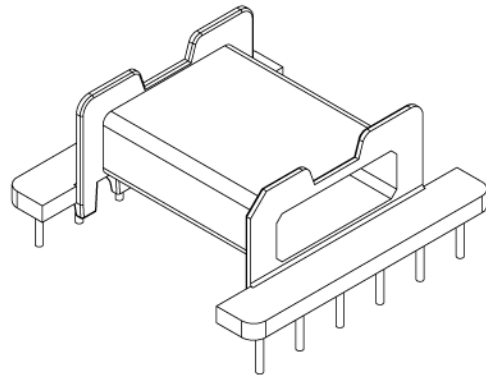
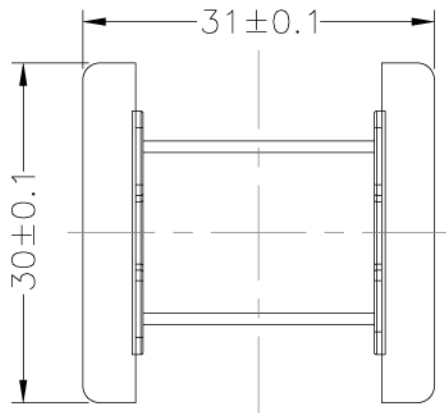
LEPCOS (North-West Laboratory)

http://ferrite.ru Tel/fax +7-812-369-11-54

St-Petesburg, Russia

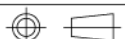
REVISIONS

REV	SYM	DRAFTER	CHECKER	DATE
8		T.S.LII	W.H.HSU	07/24/06
9		S.Y.TANG	S.M.SHIH	12/11/06
10		S.Y.TANG	W.H.HSU	07/11/07



DWG NO. EFD30 Bobbin 1 sec 12 pin E-036

PART NO.	MATERIAL (BOBBIN)	MATERIAL (TERMINAL)	TERMINAL (PLATING)	PIN ALLOCATION	NOTE
E-036	PM-9630	CP WIRE	Sn	ALL PIN (A) = 3.5 ± 0.2	



TOLERANCE: .X±0.15 .XX±0.10 .XXX±0.05

UNIT : m / m

SCALE 1.5 : 1

Finish: 1. Pb wire Immersion Sn on terminal : Thickness:Sn plating, 100,5 μm (200 μ inches) min, Base nickel 0.625 μm (25 μ inches) min.
 2. CP wire Immersion Sn on terminal : Thickness:Sn plating, 100,5 μm (200 μ inches) min.
 3. Coplanarity deviation: 0.10 mm (0.004 inches) max.

REV 10