



c

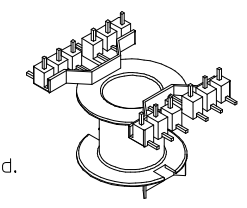
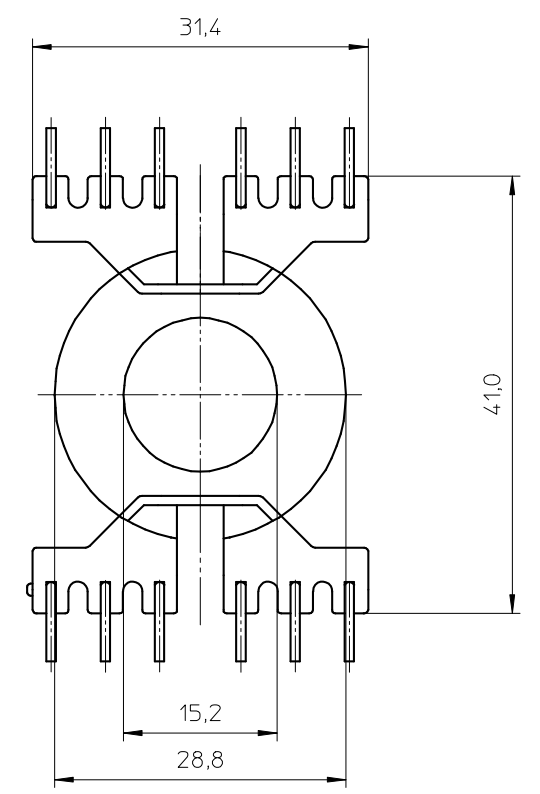
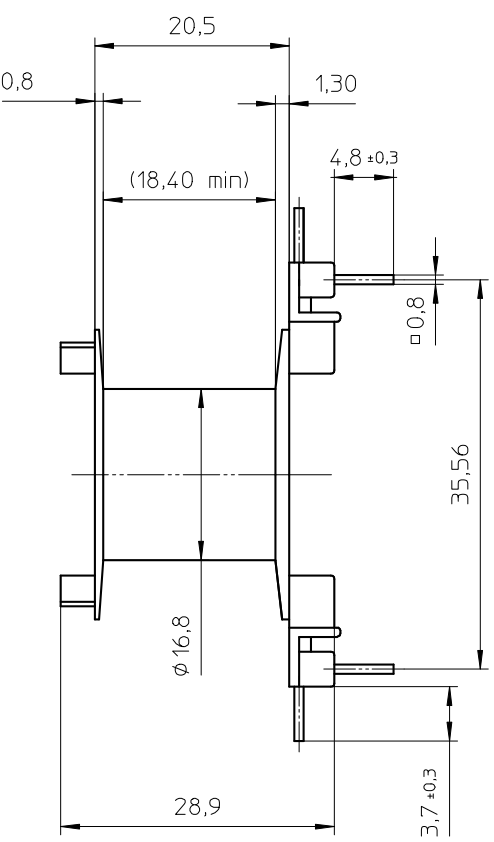
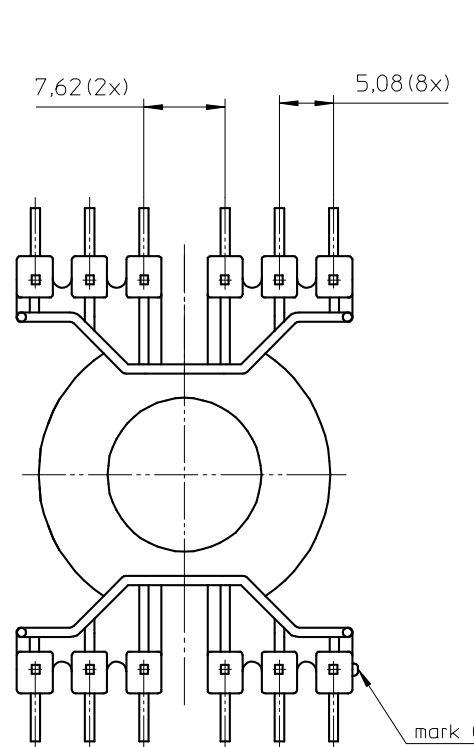


d

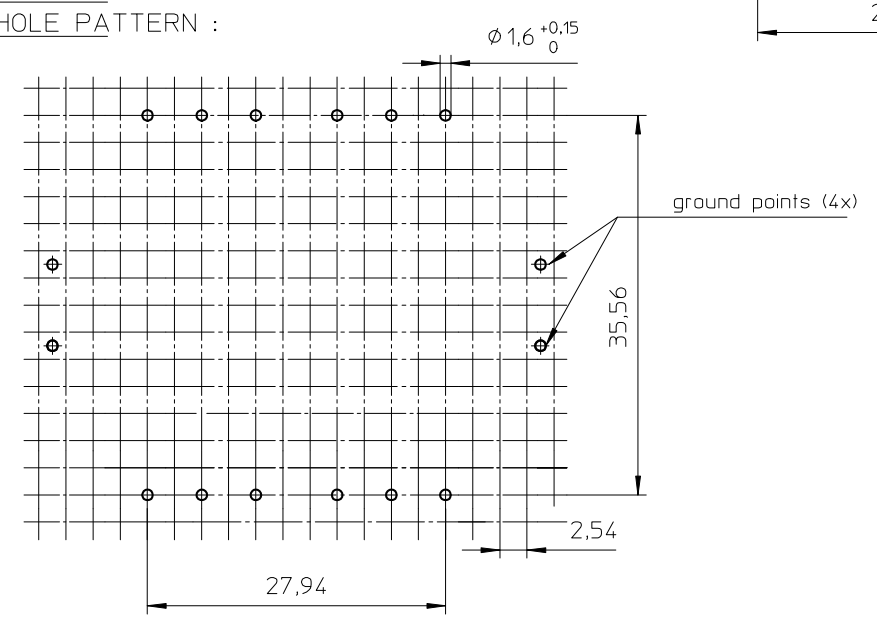


e

f



PROPOSED
HOLE PATTERN :



Coil former material: Rynite FR 530 (PET), glass-reinforced.
UL file number: E41938 - UL94V-0.

Pin material: Copper-plated steel wire - Sn plated.

Max. operating temp.: acc. to IEC 60 085 class F, 155°C.

Resistance to soldering heat: acc. to IEC 60 068-2-20 Part 2, Test Tb, method 1B, 350°C-3.5s

Solderability: acc. to IEC 60 068-2-20 Part 2, Test Ta, method 1, 235°C-2s

Min. winding area: 111 mm².

Mean length of turn: 71 mm.

CLASSNO.		CPV-RM14/I-1S-12PD-TZ		4322 021 06681		2007-02-08		2008-01-03	
NAME NAAM	A. Woitasz	SUPERS. VERV.		001	SP/SH BL/BL	112 - 001	010	A3	
MPA	CHECK CONTR.	DAT.	2007-02-08	Property of Eigendom van		© FERROXCUBE 2007			