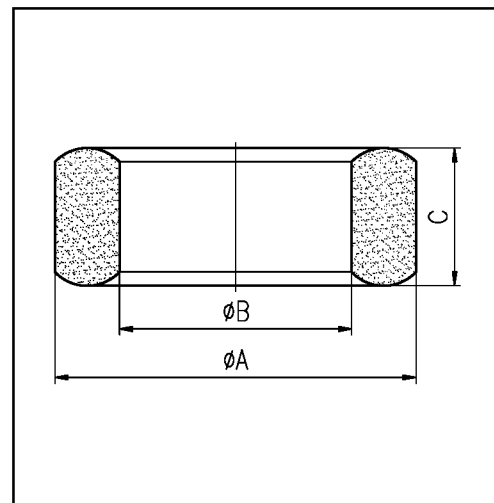


CORE SETS
Effective core parameters

SYMBOL	PARAMETER	VALUE	UNIT
$\Sigma (1/A)$	core factor (C_1)	2.05	mm^{-1}
V_e	effective volume	1131	mm^3
l_e	effective length	48.10	mm
A_e	effective area	23.50	mm^2
W_t	mass of core	≈ 6.5	g



尺寸 Coat	A	B	C
Uncoat	20.0 ± 0.5	12.0 ± 0.4	6.0 ± 0.3
Coated	21.30 max	10.80 min	7.05 max

Note: With grass green epoxy coating

Characteristic

GRADE	AL (nH/N^2)	B (mT)	CORE LOSS (W)
		f=10kHz U=0.25V	H=250A/m f=25kHz T=100°C
DMR40	$1400 \pm 25\%$	≥ 315	≤ 0.10
DMR44	$1600 \pm 25\%$	≥ 315	≤ 0.10

GRADE	AL (nH/N^2)	μ_i
		f=10kHz U=0.25V
R6K	$4570 \pm 30\%$	≈ 6000