



a

b



c

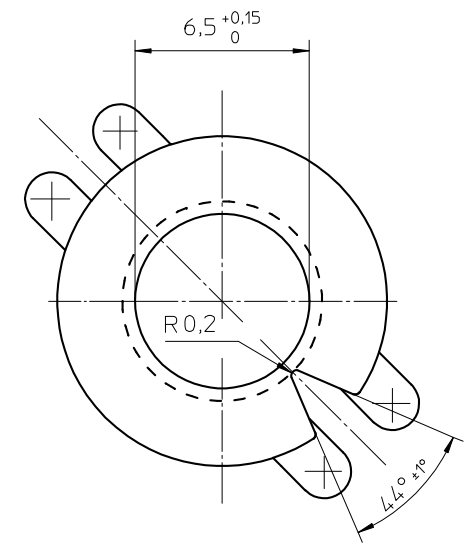
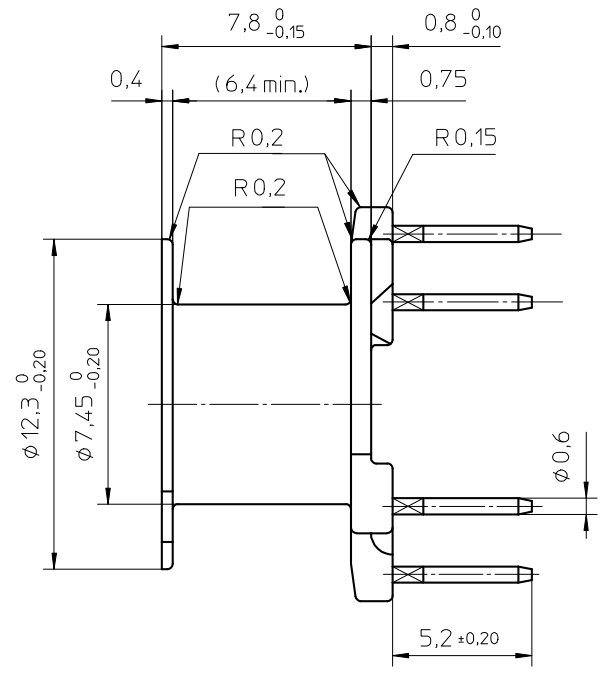
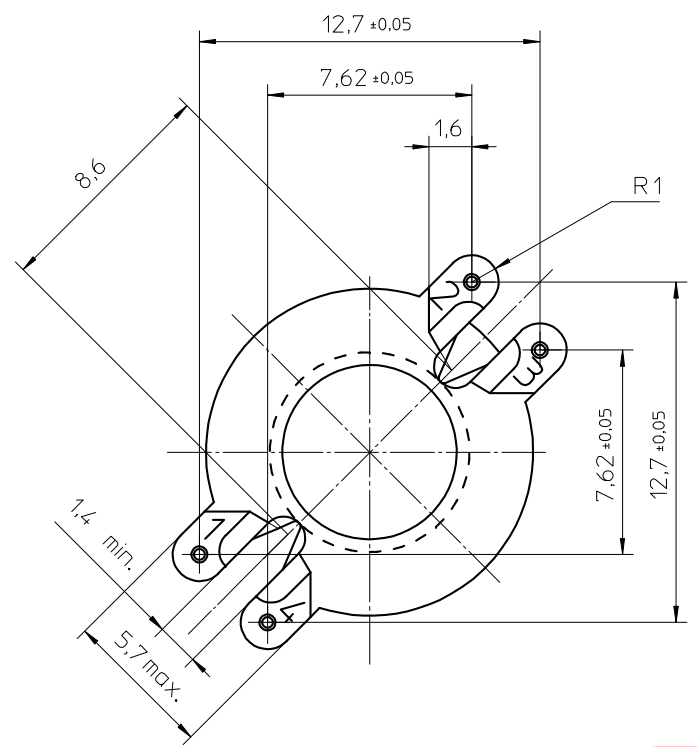
d



e



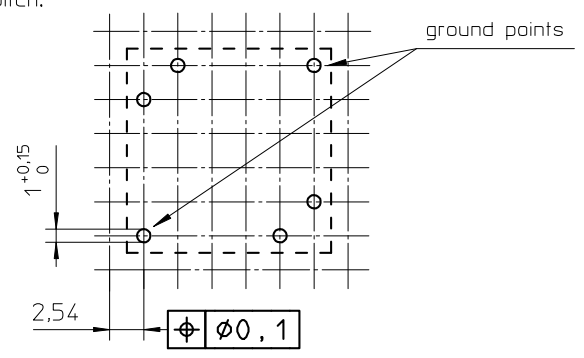
f



**PHASED OUT**

HOLE PATTERN:

Space requirement 6x6 pitch.



- Coil former material: Sumikon PM-9630 (PF), glass-reinforced.  
UL file number: E41429 - UL94V-0.
- Pin material: CuSn - Ni flash, Sn plated.
- Max. operating temp.: acc. to IEC 60 085 class H, 180°C.
- Resistance to soldering heat: acc. to IEC 60 068-2-20 Part 2, Test Tb, method 1B, 350°C-3,5s.
- Solderability: acc. to IEC 60 068-2-20 Part 2, Test Ta, method 1, 235°C-2s.
- Min. winding area: 15 mm<sup>2</sup>.
- Mean length of turn: 30 mm.

CLASSNO.			07-11-08
	CSV-RM6S/R-1S-4P-IZ	4322 021 06891	
NAME NAAM	A. Wojtasz	SUPERS. VERV.	1
MPA	CHECK CONTR.	DAT.	07-11-08
		Property of Eigendom van	© FERROXCUBE 2007
		SPR BL	112 - 001 010
			A3