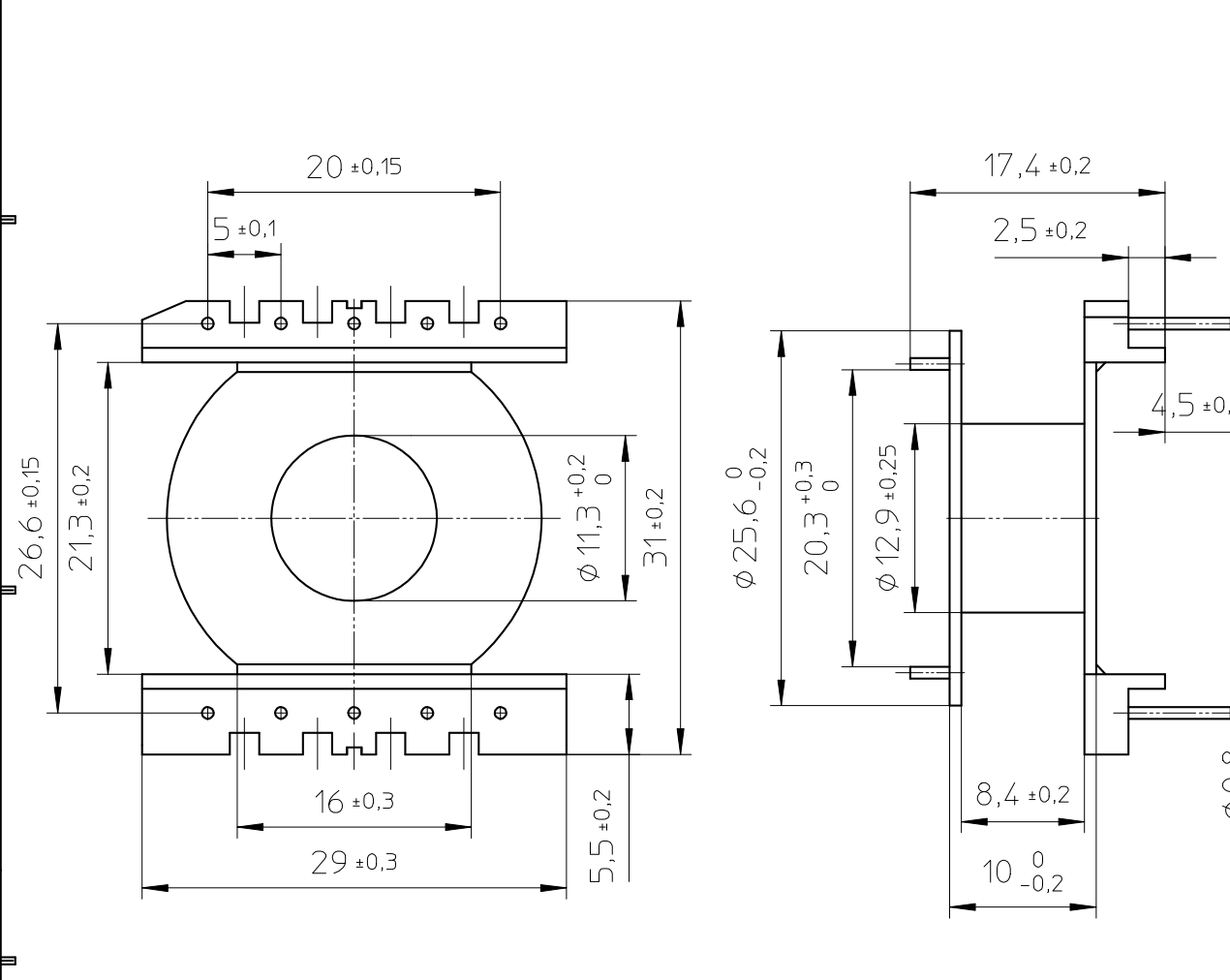


1 2 3 4



Coil former material: Sumikon PM9820 (PF), glass-reinforced.  
 UL file number: E41429 - UL94V-0.  
 Pin material: Copper-clad steel, Sn plated.  
 Max. operating temp.: acc. to IEC 60 085 class H, 180°C.  
 Resistance to soldering heat: acc. to IEC 60 068-2-20 Test Ta, method 1B, 350°C-3.5s  
 Solderability: acc. to IEC 60 068-2-20 Part 2, Test Ta, method 1, 235°C-2s  
 Min. winding area: 50 mm<sup>2</sup>  
 Mean length of turn: 60.5 mm.

CLASS.NO.			08-04-14
	CSV-EQ30/16/20-1S-10P-Z	4322 021 07031	
NAME NAAM	M.Tryngiel	SUPERS. VERV.	001 SH BL. SH BL. 112 - 001 069
MPA	CHECK CONTR.	DAT. 08-04-14	Property of Eigendom van © FERROXCUBE 2008

A4