

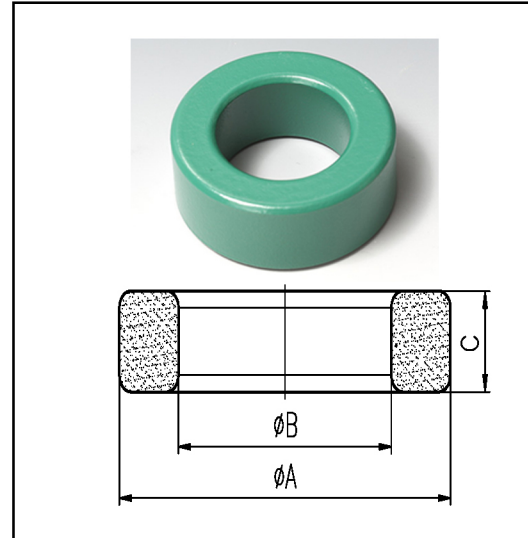


H34 x 20.5 x 12.5P

CORE SETS

Effective core parameters

| SYMBOL | PARAMETER | VALUE | UNIT |
|--------|------------------|---------|-----------------|
| Ve | effective volume | 6778.30 | mm ³ |
| le | effective length | 82.06 | mm |
| Ae | effective area | 82.60 | mm ² |
| Wt | mass of core | ≈33.0 | g |



| Coat | A | B | C |
|--------|----------|----------|-----------|
| Coated | 34.9 max | 19.8 min | 13.35 max |

Note: With grass green epoxy coating

Characteristic

| GRADE | AL (nH/N ²) | B (mT) | CORE LOSS (W) |
|-------|-------------------------|--------------------------------|--------------------------------|
| | f=10kHz U=0.25V | H=250A/m f=25kHz T=100°C | f=100kHz B=200mT T=100°C |
| DMR44 | 2790 ± 25% | ≥ 320 | ≤ 3.96 |