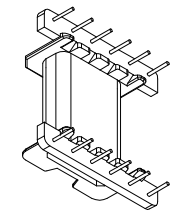
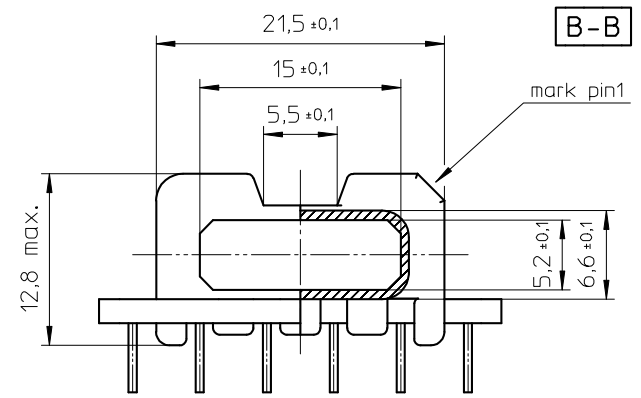
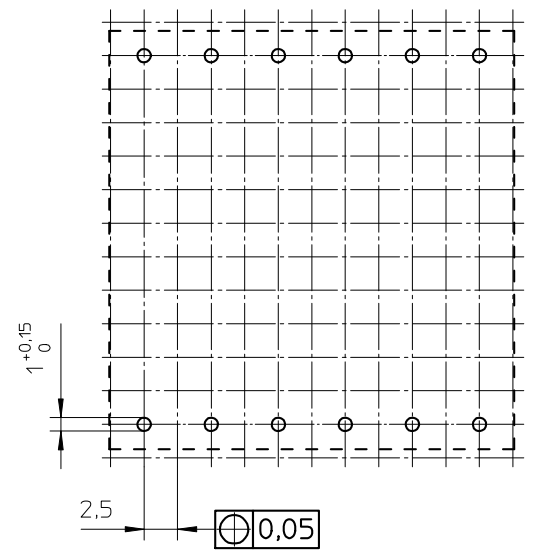


HOLE PATTERN:



Coil former material: Sumikon PM-9630 (PF), glass-reinforced.
 UL file number: E41429 - UL94V-0.
 Pin material: Copper-clad steel, Sn plated.
 Max. operating temp.: acc. to IEC 60085 class H, 180°C.
 Resistance to soldering heat: acc. to IEC 60068-2-20 Part 2, Test Tb, method 1B, 350°C-3.5sec.
 Solderability: acc. to IEC 60068-2-20 Part 2, Test Ta, method 1, 235°C - 2sec.
 Min. winding area: 52.3 mm².
 Mean length of turn: 52.9 mm.

CLASSNO.		CSH-EFD30-1S-12P-TZ		4322 021 06311		03-03-10		07-12-13	
NAME	A.Wojtasz	SUPERS.		001	SPSH	112 - 001	069	A3	
MPA	CHECK CONTR.	DAT.	03-03-10	Property of	Eigenaam van	© FERROXCUBE 2000			