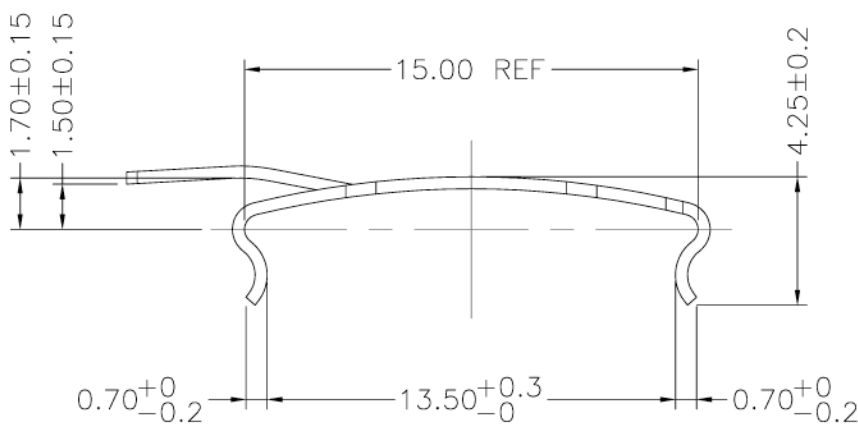
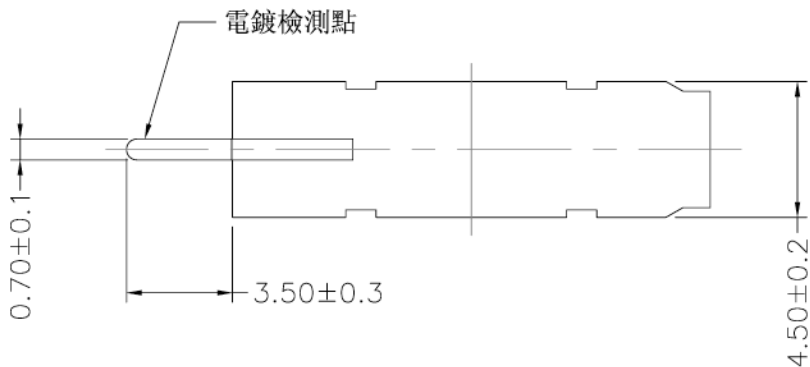
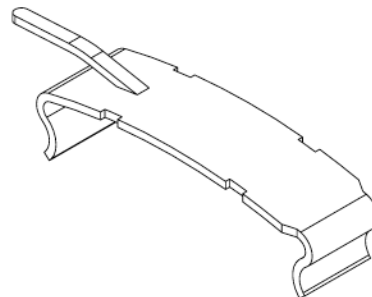


LEPCOS (North-West Laboratory)

http://ferrite.ru Tel/fax +7-812-369-11-54

REVISIONS

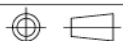
REV	SYM	DRAFTER	CHECKER	DATE
△2		T.S.LII	W.H.HSU	06/01/03
△3		T.S.LII	W.H.HSU	07/24/06
△4		X.H.GU	W.H.HSU	10/06/07



T=0.4

DWG NO. **Clamp Rm8 E-046C**

PART NO.	MATERIAL (BOBBIN)	MATERIAL (CLIP)	TERMINAL (PLATING)	PIN ALLOCATION	NOTE
E-046C		SK7	Sn		



TOLERANCE: .X±0.15 .XX±0.10 .XXX±0.05

UNIT : m / m

SCALE 4 : 1

Finish: 1. Pb wire Immersion Sn on terminal : Thickness:Sn plating,100,5 μm (200 μ inches) min,Base nickel 0.625 μm (25 μ inches) min.
 2. CP wire Immersion Sn on terminal : Thickness:Sn plating,100,5 μm (200 μ inches) min.
 3. Coplanarity deviation: 0.10 mm (0.004 inches) max.

REV 4