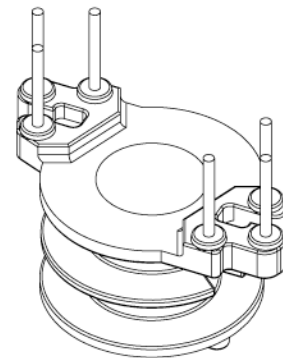
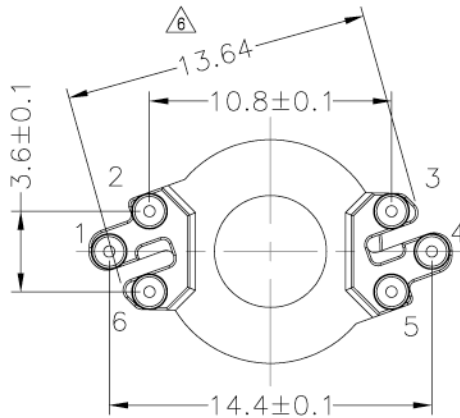
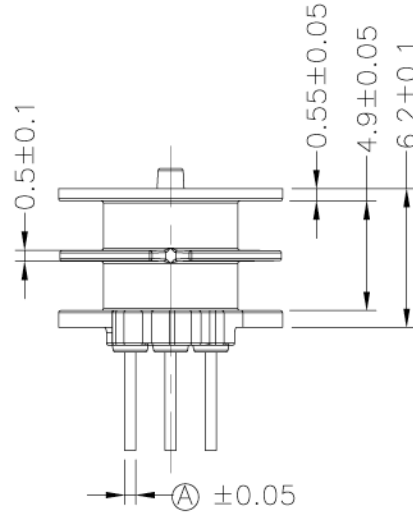
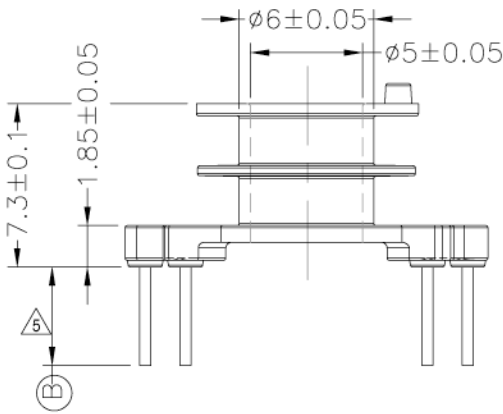
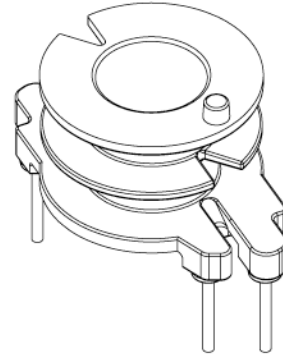
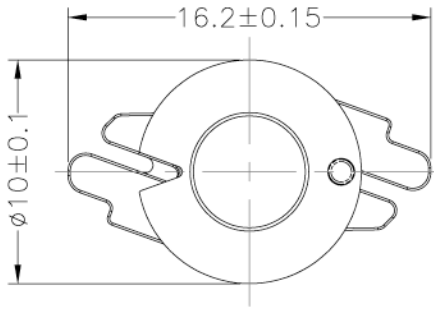


LEPCOS (North-West Laboratory)

http://ferrite.ru Tel/fax +7-812-369-11-54

REVISIONS

REV	SYM	DRAFTER	CHECKER	DATE
4		T.S.LII	W.H.HSU	07/21/06
5		T.S.LII	W.H.HSU	02/27/07
6		T.S.LII	W.H.HSU	02/20/08



DWG NO. Bobbin RM5 2sec 6pin E-043-1

PART NO.	MATERIAL (BOBBIN)	MATERIAL (TERMINAL)	TERMINAL (PLATING)	PIN ALLOCATION	NOTE
E-043-1	PM-9630	CP WIRE	Sn	ALL PIN, (A) = Ø0.5, (B) = 4.5±0.2	
					H

TOLERANCE: .X±0.15 .XX±0.10 .XXX±0.05 UNIT : m/m SCALE 3 : 1

Finish: 1. PB wire Immersion Sn on terminal : Thickness:Sn plating, 100,5 µm (200 µ inches) min, Base nickel 0.625 µm (25 µ inches) min.
 2. CP wire Immersion Sn on terminal : Thickness:Sn plating, 100,5 µm (200 µ inches) min.
 3. Coplanarity deviation: 0.10 mm (0.004 inches)max.

REV 6