



SMT inductors – SIMID series

SIMID 2220-T

Series/Type:
Ordering code: B82442T
Date: 2013-06-04
Version: 2

SIMID 2220-T

Size 2220 (EIA) or 5650 (IEC)
Rated inductance 1 μ H to 10000 μ H
Rated current 46 mA to 3510 mA

Construction

Ferrite drum core
Laser-welded winding
Flame-retardant molding

Features

Temperature range up to 150 °C
Very high current handling capability
High L values
Qualified to AEC-Q200
Suitable for lead-free reflow soldering
as referenced in JEDEC J-STD 020C
RoHS-compatible
Halogen-free

Applications

Filtering of supply voltages, coupling, decoupling
DC/DC converters/switch-mode power supplies
Automotive electronics
Telecommunications
Consumer electronics
Industrial electronics

Terminals

Base material CuSn6
Layer composition Ni, Sn (lead-free)
Electro-plated

Marking

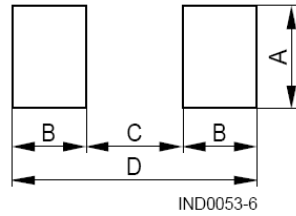
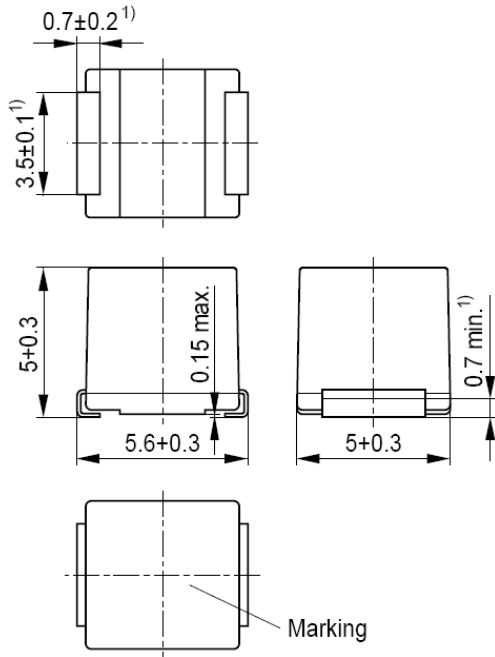
Marking on component:
Manufacturer, letter "T", L value (in μ H),
tolerance of L value (coded), date of manufacture (YWWD)
Minimum data on reel:
Manufacturer, ordering code, L value, quantity, date of packing

Delivery mode and packing unit

12-mm blister tape, wound on 330-mm \varnothing reel
Packing unit: 1500 pcs./reel



Dimensional drawing and layout recommendation



IND0053-6

A	B	C	D
4.5	2.0	4.0	8.0

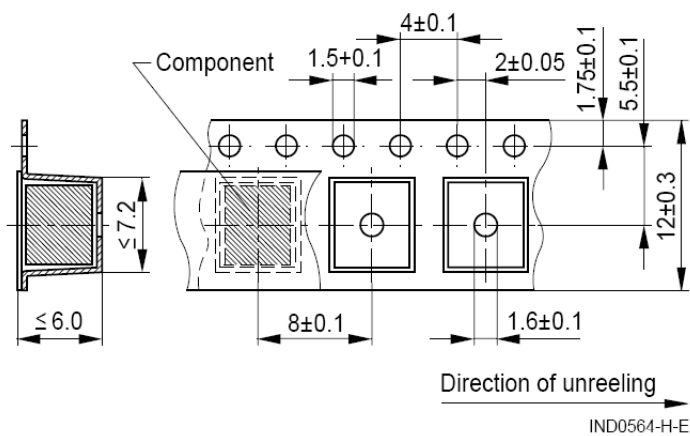
1) Soldering area

IND0918-C-E

Dimensions in mm

Taping and packing

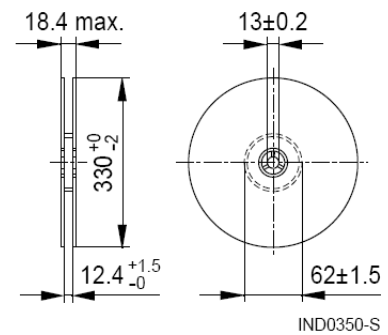
Blister tape



IND0564-H-E

Dimensions in mm

Reel



IND0350-S

Technical data and measuring conditions

Rated inductance L_R	Measured with impedance analyzer Agilent 4294A at frequency f_L , 0.1 V, 20 °C
Q factor Q_{min}	Measured with impedance analyzer Agilent 4294A at frequency f_Q , 20 °C
Rated temperature T_R	85 °C
Rated current I_R	Maximum permissible DC with temperature increase of ≤ 65 K at rated temperature
Saturation current I_{sat}	Maximum permissible DC with inductance decrease $\Delta L/L_0 \leq 10\%$, 20 °C
Self-resonance frequency $f_{res,min}$	Measured with network analyzer Agilent 8753D, 20 °C
DC resistance R_{max}	Measured at 20 °C
Solderability (lead-free)	Sn95.5Ag3.8Cu0.7: (245 \pm 5) °C, (5 \pm 0.3) s Wetting of soldering area $\geq 90\%$ (based on IEC 60068-2-58)
Resistance to soldering heat	260 °C, 40 s (as referenced in JEDEC J-STD 020C)
Climatic category	55/150/56 (to IEC 60068-1)
Storage conditions	Mounted: -55 °C ... +150 °C Packaged: -25 °C ... +40 °C, $\leq 75\%$ RH
Weight	Approx. 0.4 g

Characteristics and ordering codes

L_R μH	Tolerance	Q_{\min}	$f_L; f_Q$ MHz	I_R mA	I_{sat} mA	R_{\max} Ω	$f_{\text{res, min}}$ MHz	Ordering code
1.0	$\pm 10\% \triangleq K$	15	7.96	3510	7330	0.025	111	B82442T1102K050
1.2		15	7.96	3090	6030	0.028	75	B82442T1122K050
1.5		15	7.96	3020	5480	0.033	60	B82442T1152K050
1.8		15	7.96	2770	4890	0.035	55	B82442T1182K050
2.2		15	7.96	2710	4820	0.038	46	B82442T1222K050
2.7		15	7.96	2530	3980	0.042	38	B82442T1272K050
3.3		15	7.96	2460	4010	0.046	36	B82442T1332K050
3.9		15	7.96	2170	3310	0.057	33	B82442T1392K050
4.7		15	7.96	1950	3450	0.073	30	B82442T1472K050
5.6		15	7.96	1850	2780	0.078	28	B82442T1562K050
6.8		15	7.96	1680	2770	0.106	23	B82442T1682K050
8.2		15	7.96	1510	2330	0.118	21	B82442T1822K050
10		15	2.52	1420	2280	0.132	19	B82442T1103K050
12		15	2.52	1380	2160	0.141	19	B82442T1123K050
15		15	2.52	1260	1870	0.190	16	B82442T1153K050
18		15	2.52	1090	1780	0.210	14	B82442T1183K050
22		15	2.52	1040	1590	0.238	13	B82442T1223K050
27		15	2.52	880	1400	0.307	11	B82442T1273K050
33		15	2.52	840	1380	0.360	11	B82442T1333K050
39		15	2.52	720	1190	0.456	9.0	B82442T1393K050
47		15	2.52	700	1120	0.519	8.0	B82442T1473K050
56		15	2.52	600	1010	0.679	7.5	B82442T1563K050
68		15	2.52	570	900	0.781	7.0	B82442T1683K050
82		15	2.52	540	830	0.832	6.6	B82442T1823K050
100		20	0.796	510	760	0.99	6.1	B82442T1104K050
120		20	0.796	440	670	1.29	5.3	B82442T1124K050
150		20	0.796	410	610	1.50	4.6	B82442T1154K050
180		20	0.796	350	550	1.96	4.2	B82442T1184K050
220		20	0.796	330	500	2.21	3.9	B82442T1224K050
270		20	0.796	290	450	2.95	3.5	B82442T1274K050

Characteristics and ordering codes

L_R μH	Tolerance	Q_{\min}	$f_L; f_Q$ MHz	I_R mA	I_{sat} mA	R_{\max} Ω	$f_{\text{res, min}}$ MHz	Ordering code ¹⁾	
330		20	0.796	280	430	3.29	3.4	B82442T1334K050	
390		20	0.796	260	390	3.70	3.0	B82442T1394K050	
470		20	0.796	240	350	4.73	2.6	B82442T1474K050	
560		20	0.796	220	320	5.21	2.4	B82442T1564K050	
680		20	0.796	210	300	5.87	2.3	B82442T1684K050	
820		20	0.796	170	270	7.86	2.2	B82442T1824K050	
1000		30	0.252	150	246	9.5	1.8	B82442T1105K050	
1200		$\pm 10\% \triangleq K$ $\pm 5\% \triangleq J$	30	0.252	140	223	12.6	1.7	B82442T1125+050
1500			30	0.252	130	200	14.9	1.5	B82442T1155+050
1800			30	0.252	110	183	19.7	1.4	B82442T1185+050
2200	30		0.252	100	168	22.5	1.2	B82442T1225+050	
2700	30		0.252	90	151	29.5	1.1	B82442T1275+050	
3300	30		0.252	85	138	32.8	1.0	B82442T1335+050	
3900	30		0.252	74	127	43.5	0.9	B82442T1395+050	
4700	30		0.252	73	119	48.6	0.8	B82442T1475+050	
5600	30		0.252	66	109	54.7	0.8	B82442T1565+050	
6800	30		0.252	65	102	60.3	0.6	B82442T1685+050	
8200	30	0.252	54	92	80.6	0.6	B82442T1825+050		
10000	25	0.0796	46	81	112	0.5	B82442T1106+050		

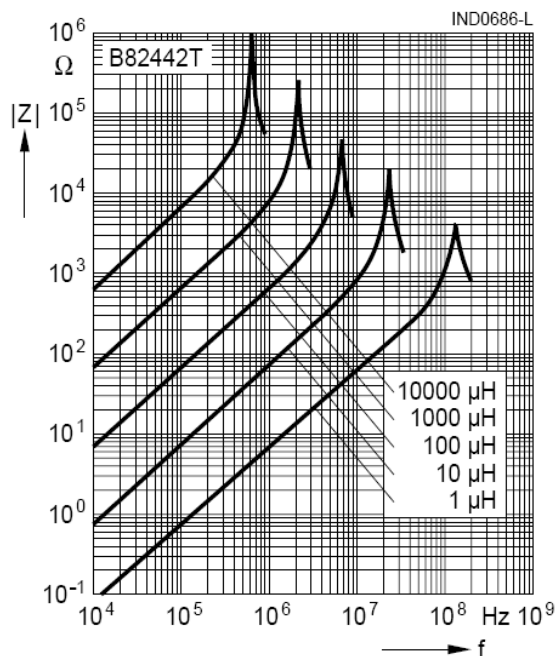
Closer tolerances and intermediate values on request.
Higher currents possible at temperatures $< T_R$ on request.

Sample kit available. Ordering code: B82442X002
For more information refer to chapter "Sample kits".

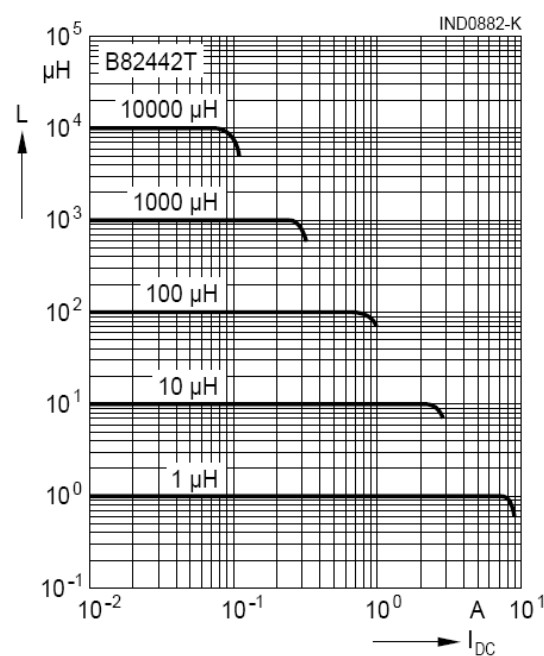
¹⁾ Replace the + by the code letter for the required inductance tolerance

SIMID 2220-T

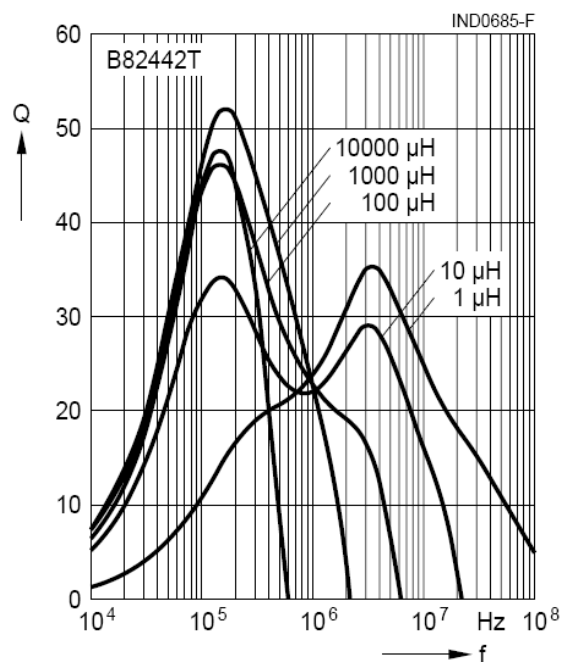
Impedance $|Z|$ versus frequency f
measured with impedance analyzer Agilent 4294A/E4991A, typical values at 20 °C



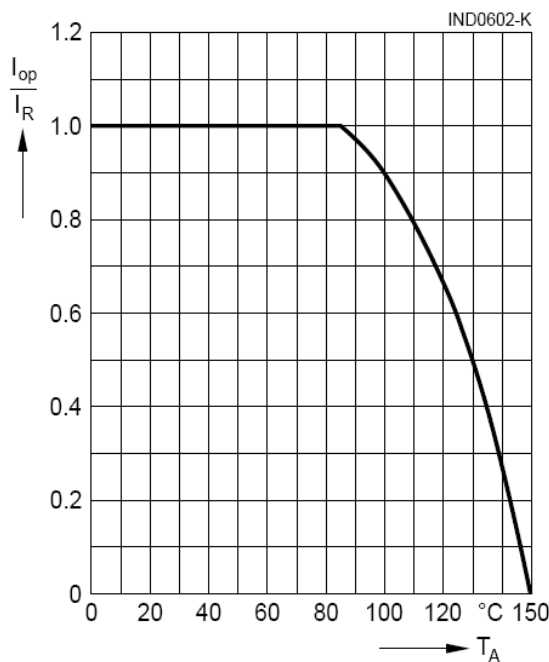
Inductance L versus DC load current I_{DC}
measured with LCR meter Agilent 4285A, typical values at 20 °C



Q factor versus frequency f
measured with impedance analyzer Agilent 4294A/E4991A, typical values at 20 °C



Current derating I_{op}/I_R versus ambient temperature T_A
(rated temperature $T_R = 85$ °C)



Cautions and warnings

Please note the recommendations in our Inductors data book (latest edition) and in the data sheets.

- Particular attention should be paid to the derating curves given there.
- The soldering conditions should also be observed. Temperatures quoted in relation to wave soldering refer to the pin, not the housing.

If the components are to be washed varnished it is necessary to check whether the washing varnish agent that is used has a negative effect on the wire insulation, any plastics that are used, or on glued joints. In particular, it is possible for washing varnish agent residues to have a negative effect in the long-term on wire insulation.

The following points must be observed if the components are potted in customer applications:

- Many potting materials shrink as they harden. They therefore exert a pressure on the plastic housing or core. This pressure can have a deleterious effect on electrical properties, and in extreme cases can damage the core or plastic housing mechanically.
- It is necessary to check whether the potting material used attacks or destroys the wire insulation, plastics or glue.
- The effect of the potting material can change the high-frequency behaviour of the components.

Ferrites are sensitive to direct impact. This can cause the core material to flake, or lead to breakage of the core.

Even for customer-specific products, conclusive validation of the component in the circuit can only be carried out by the customer.

Important notes

The following applies to all products named in this publication:

1. Some parts of this publication contain **statements about the suitability of our products for certain areas of application**. These statements are based on our knowledge of typical requirements that are often placed on our products in the areas of application concerned. We nevertheless expressly point out **that such statements cannot be regarded as binding statements about the suitability of our products for a particular customer application**. As a rule, EPCOS is either unfamiliar with individual customer applications or less familiar with them than the customers themselves. For these reasons, it is always ultimately incumbent on the customer to check and decide whether an EPCOS product with the properties described in the product specification is suitable for use in a particular customer application.
2. We also point out that **in individual cases, a malfunction of electronic components or failure before the end of their usual service life cannot be completely ruled out in the current state of the art, even if they are operated as specified**. In customer applications requiring a very high level of operational safety and especially in customer applications in which the malfunction or failure of an electronic component could endanger human life or health (e.g. in accident prevention or life-saving systems), it must therefore be ensured by means of suitable design of the customer application or other action taken by the customer (e.g. installation of protective circuitry or redundancy) that no injury or damage is sustained by third parties in the event of malfunction or failure of an electronic component.
3. **The warnings, cautions and product-specific notes must be observed.**
4. In order to satisfy certain technical requirements, **some of the products described in this publication may contain substances subject to restrictions in certain jurisdictions (e.g. because they are classed as hazardous)**. Useful information on this will be found in our Material Data Sheets on the Internet (www.epcos.com/material). Should you have any more detailed questions, please contact our sales offices.
5. We constantly strive to improve our products. Consequently, **the products described in this publication may change from time to time**. The same is true of the corresponding product specifications. Please check therefore to what extent product descriptions and specifications contained in this publication are still applicable before or when you place an order. We also **reserve the right to discontinue production and delivery of products**. Consequently, we cannot guarantee that all products named in this publication will always be available. The aforementioned does not apply in the case of individual agreements deviating from the foregoing for customer-specific products.
6. Unless otherwise agreed in individual contracts, **all orders are subject to the current version of the “General Terms of Delivery for Products and Services in the Electrical Industry” published by the German Electrical and Electronics Industry Association (ZVEI)**.
7. The trade names EPCOS, BAOKE, Alu-X, CeraDiode, CeraLink, CSMP, CSSP, CTVS, DeltaCap, DigiSiMic, DSSP, FilterCap, FormFit, MiniBlue, MiniCell, MKD, MKK, MLSC, MotorCap, PCC, PhaseCap, PhaseCube, PhaseMod, PhiCap, SIFERRIT, SIFI, SIKOREL, SilverCap, SIMDAD, SiMic, SIMID, SineFormer, SIOV, SIP5D, SIP5K, ThermoFuse, WindCap are **trademarks registered or pending** in Europe and in other countries. Further information will be found on the Internet at www.epcos.com/trademarks.