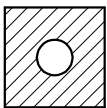
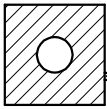


**FERROXCUBE**

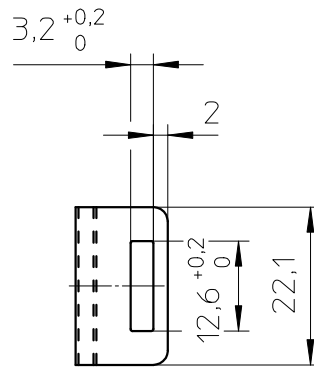
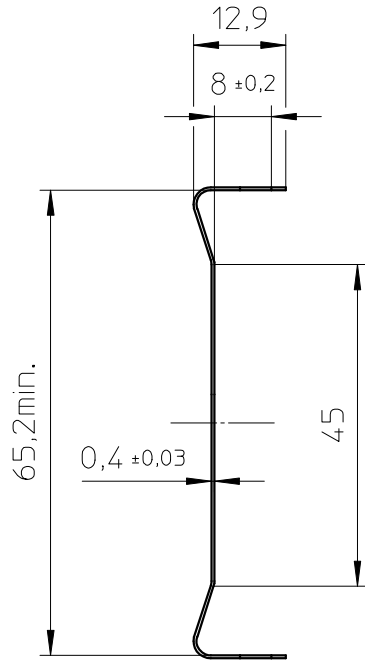


1

2

3

4



Material: CrNi steel

CLASS.NO.									92-12-15	
									96-08-29	
NAME NAAM	M.Veekens	SUPERS. VERV.		1	SH BL.	112	-	001	010	A4
MPA	CHECK CONTR.	DAT.	92-12-15	Property of Eigendom van		© FERROXCUBE 2000				

CLI-ETD59

4322 021 00701

96-08-29

M.Veekens

SUPERS.  
VERV.

1

SH  
BL.

112

-

001

010

A4

MPA

CHECK  
CONTR.

DAT.

92-12-15

Property of  
Eigendom van

© FERROXCUBE 2000