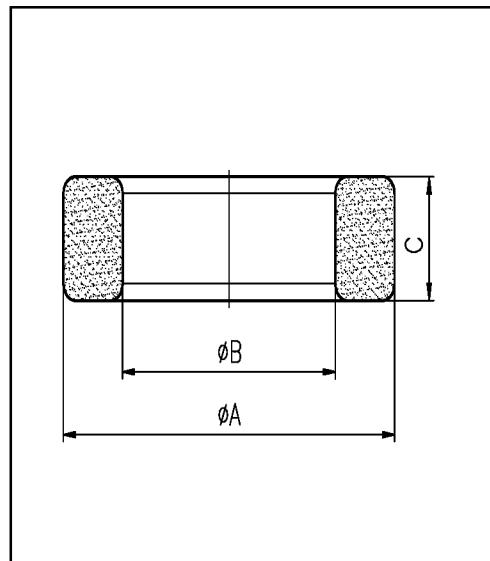


CORE SETS

Effective core parameters

SYMBOL	PARAMETER	VALUE	UNIT
$\Sigma (1/A)$	core factor (C_1)	1.6	mm^{-1}
V_e	effective volume	1763	mm^3
l_e	effective length	56.15	mm
A_e	effective area	33.18	mm^2
W_t	mass of core	≈ 8.4	g



	A	B	C
Uncoat	22.1 ± 0.4	13.7 ± 0.3	7.9 ± 0.3
Coated	22.8max	13.0min	9.0max

Note: With grass green epoxy coating

Characteristic

GRADE	$AL (\text{nH}/\text{N}^2)$	μi
		f=10kHz U=0.25V
R10K	$7414 \pm 30\%$	≈ 10000