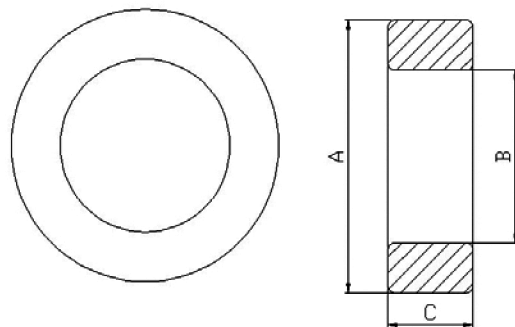
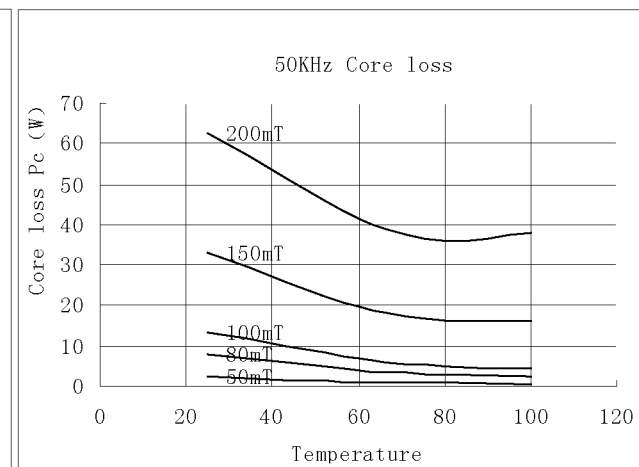
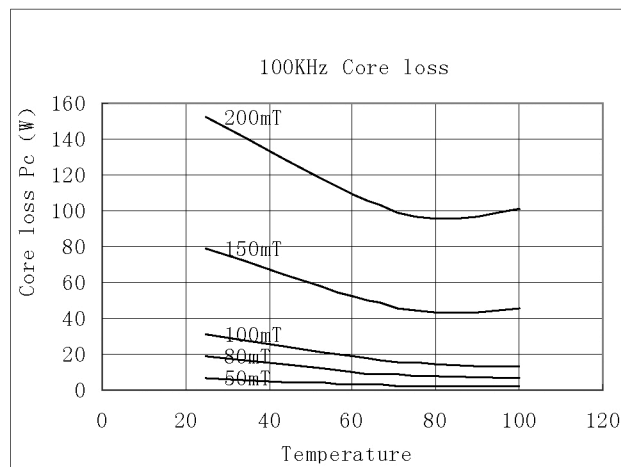




Parameter	Symbol	Value			Unit
Type of Material		H40	H44	HK5	
Core constant	C1	0.873	0.873	0.873	mm ⁻¹
Effective path length	Le	390	390	390	mm
Effective area	Ae	447	447	447	mm ²
Effective volume	Ve	174488	174488	174488	mm ³
Inductance factor	AL	3200	3450	7200	nH/N ²
Weight	W	900	900	900	g



A	144 ± 4mm
B	108 ± 3mm
C	25 ± 0.5mm



LEPCOS (NWL)
<http://ferrite.ru>

Типоразмер: H144 x 108 x 25

Материал: H40, H44, HK5