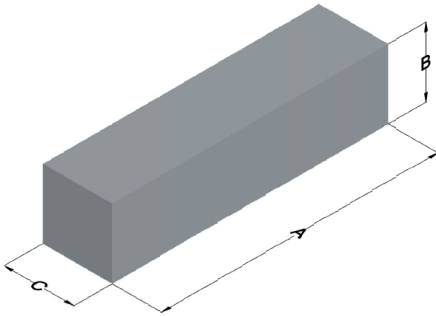




# 00K9541B026

110 Delta Drive  
 Pittsburgh, PA 15238  
 NAFTA Sales: (1)800-245-3984  
 HK Sales : (852)3102-9337  
 magnetics@spang.com  
 www.mag-inc.com



Kool M $\mu$ Permeability ( $\mu$ )	Core Marking	
	Lot Number	Part number
26	XXXXXX	K9541B026

	Dimensions		Tolerance ( $\pm$ )		Packaging
	(mm)	(in)	(mm)	(in)	
<b>A</b>	95.00	3.740	0.61	0.024	Cardboard cut-outs Box Qty= 30 pcs
<b>B</b>	41.00	1.614	0.51	0.020	
<b>C</b>	27.51	1.083	0.41	0.016	

Physical Characteristics		Temperature Rating	Note:
Volume V <sub>e</sub> (mm <sup>3</sup> )	Weight (g)	Curie Temp: 500°C	Cosmetic Standard: Magnetics' Kool M $\mu$ shapes criteria for appearance.
107,200	560		

