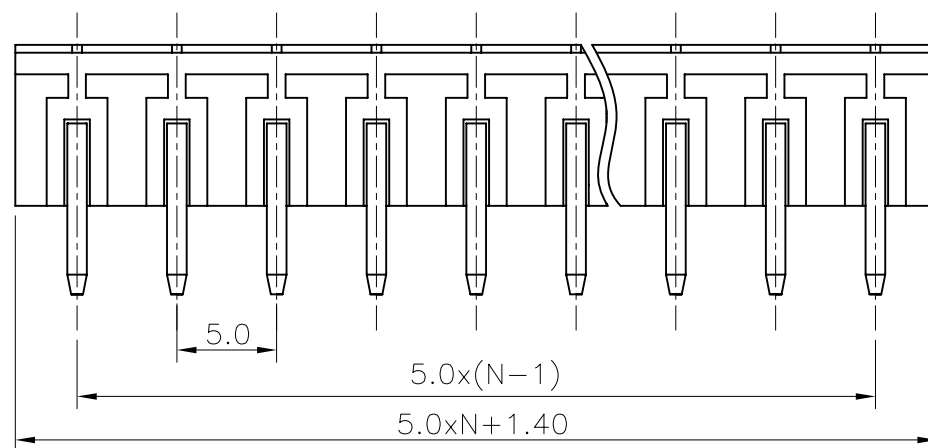
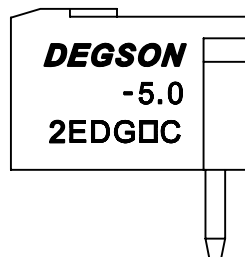
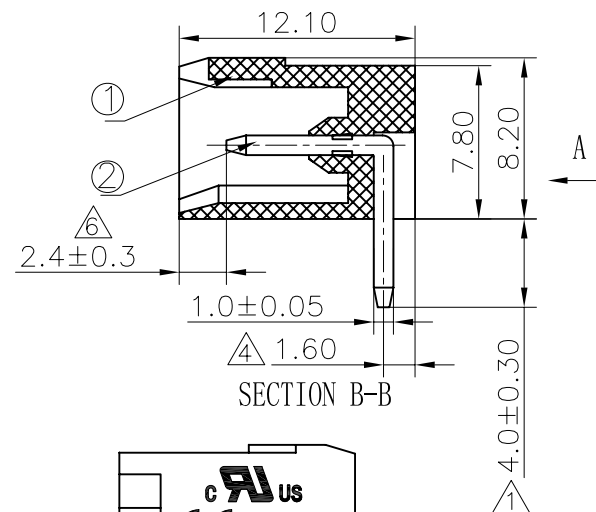
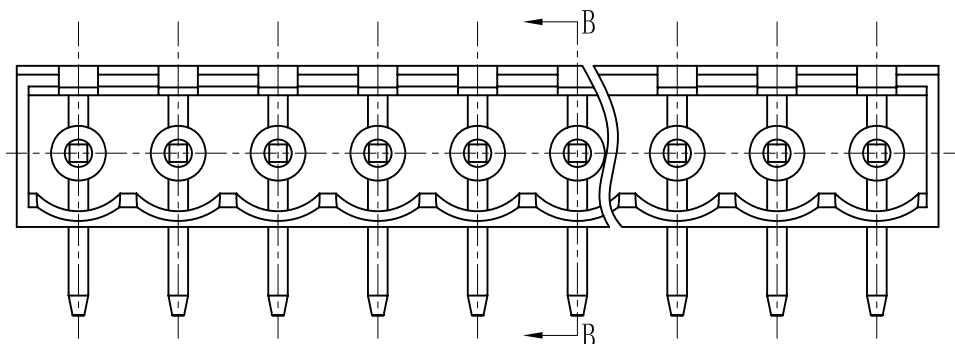
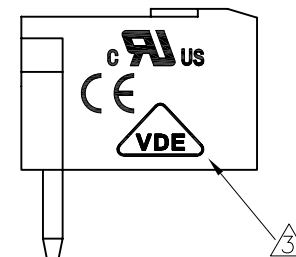


REVISION RECORD					
REV	ECO	DESCRIPTION	DRFT	DATE	
△		4.5±0.1变更到4.0±0.3	DZJ	06/14/'05	
△		图面更新	CSX	04/08/'06	
△		增加VDE、CE刻字	Ye j	02/26/08*	
△		更新图面	LJH	04/16/08*	
△		增加自动化方针	WLM	09/23/08*	
△	10-0329	增加标注尺寸	COCO	10/04/10*	



VIEW A



Notes:

1. Pitch: 5.0mm, Poles: 2-24P
2. Rated voltage/current: UL 300V/15A
VDE 320V/20A
3. Operation temperatures: -40°C ~ +105°C
4. Withstanding Voltage: AC2000V/1min
5. Insulation Resistance: 5000MΩ/DC1000V
6. Undimensioned Tolerances:

Pitch range in mm				Nominal dimension range in mm				
to	over	over	to	over	over	over		
6	6	10	30	30	60	100	150	∩
10	10	24	30	60	100	150		∩
±0.10	±0.15	±0.25	±0.2	±0.3	±0.5	±0.7	±1.0	0.05/10

2	2EDGR-Pin header	△ 1008B00120 (H)	XX	Brass	Automatic assembly
2	2EDGR (A)-Pin header	1008B00040 (H)	XX	Brass	Manual assembly
1	2EDGRC-5.0 Housing	1019A0YXXA (H)	1	PA66	UL94V-0
ITEM	NAME OF PART	NO. OF PART	Q'TY	MATERIAL	NOTES
DETAILED LISTS	MM (INCH)	DFTO HW	DATE 05/05/05*	宁波高正电子有限公司 DEGSON ELECTRONICS CO., LTD	
	TOLERANCES EXCEPT AS NOTED	CHKD	DATE		
		MFO	DATE		
		APPVL	DATE		
	MM			MATERIAL :	NAME
	.0 ±				2EDGRC-5.0-XXP-1Y-00A(H)
	.00 ±				DRAWING NO. 2EDGRC-5.0-E02
	.000 ±				/PART NO.
	ANGLES ± 1'	G.E :			SIZE A3
	THIRD ANGLE PROJECTION	FINISH :			REV 16
		SCALE : 1:1			10/04/10*
			DO NOT SCALE DRAWING	SHEET 1	OF 1