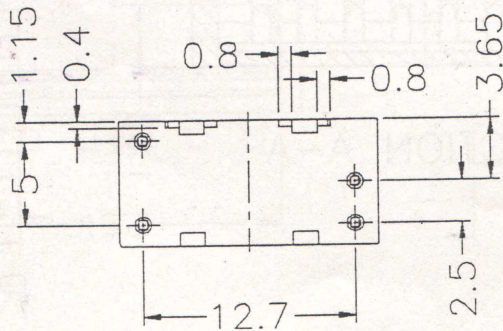


SECTION A-A



FILE NAME	A-120	TOLERANCE:		DECIMAL .X $\pm 0.3$ .XX $\pm 0.2$	CHECK	許文豪
MODEL NAME	T12.5/4-PIN	WHOLE	PIN PITCH $\pm 0.1$		DRAWING	詹儒杰
DRAWING TITLE	RING CORE CASE	SHEET OF		REV.	A	
LEPCOS (North-West Laboratory)	UNIT	m/m	CASE MATERIAL		PPS	
<a href="http://ferrite.ru">http://ferrite.ru</a>	SCALE		TERMINAL MATERIAL		PHOSPHOR BRONZE	
Tel/fax +7-812-369-11-54	SPECIFICATION	4 PINS CASE		DATE	2000.04.18	