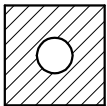
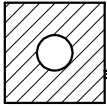
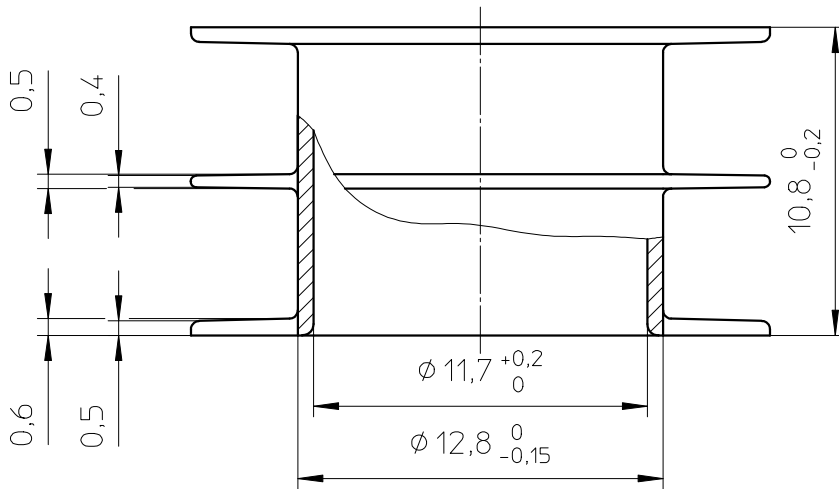
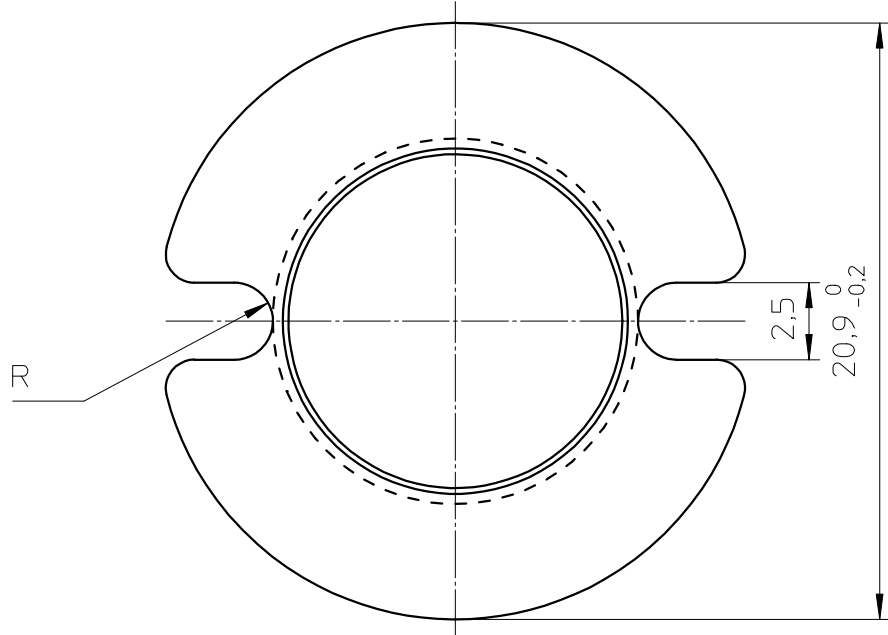


**FERROXCUBE**



1 2 3 4



Coil former material: Valox 420SE0 (PBT), glass-reinforced.  
 UL file number: E45329(R) - UL94V-0.  
 Max. operating temp.: acc. to IEC 85 class F, 155°C.  
 Min. winding area: 35,1 mm<sup>2</sup>.  
 Mean length of turn: 52,6 mm.

CLASS.NO.		CP-P26/16-2S		4322 021 02451		98-08-22	
00-06-15						00-06-15	
NAME NAAM	M.Veekens	SUPERS. VERV.	4322 021 30342	1 SH BL.	112	- 001	010
MPA	CHECK CONTR.	DAT.	98-08-22	Property of Eigendom van		© FERROXCUBE 2000	
							A4