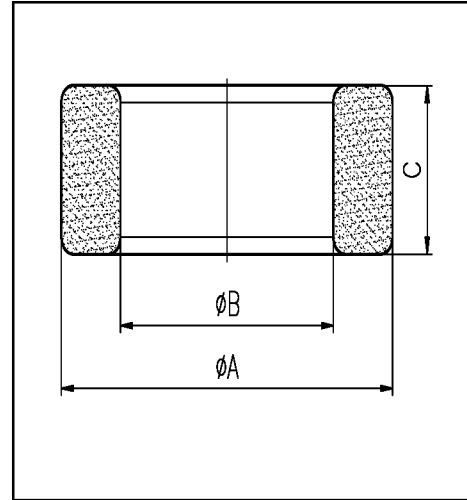


CORE SETS
Effective core parameters

| SYMBOL | PARAMETER | VALUE | UNIT |
|----------------|-----------------------|-----------------|------------------|
| $\Sigma (1/A)$ | core factor (C_1) | 0.65 | mm^{-1} |
| Ve | effective volume | 23560.00 | mm^3 |
| le | effective length | 120.36 | mm |
| Ae | effective area | 195.79 | mm^2 |
| Wt | mass of core | ≈ 122.6 | g |



| 尺寸 Coat | A | B | C |
|------------|----------------|----------------|----------------|
| Uncoat | 50.0 ± 0.6 | 30.0 ± 0.5 | 20.0 ± 0.5 |
| Coated | 51.2max | 29.0min | 21.1max |

Note: With grass green epoxy coating

Characteristic

| GRADE | AL (nH/N^2) | B (mT) | CORE LOSS (W) |
|-------|-------------------------------|--------------------------------|--------------------------------|
| | f=10kHz U=0.25V | H=250A/m f=25kHz T=100°C | f=100kHz B=200mT T=100°C |
| DMR40 | $4460 \pm 25\%$ | ≥ 315 | ≤ 18.1 |
| DMR44 | $4460 \pm 25\%$ | ≥ 315 | ≤ 16.6 |
| DMR95 | $6400 \pm 25\%$ | ≥ 315 | ≤ 16.0 |

| GRADE | AL (nH/N^2) | μ_i |
|-------|-------------------------------|--------------------|
| | f=10kHz U=0.25V | f=10kHz U=0.25V |
| R4K | $8600 \pm 30\%$ | ≈ 4000 |
| R7K | $12000 \pm 30\%$ | ≈ 7000 |
| R10K | $18000 \pm 30\%$ | ≈ 10000 |
| R12K | ≥ 14530 | ≈ 12000 |