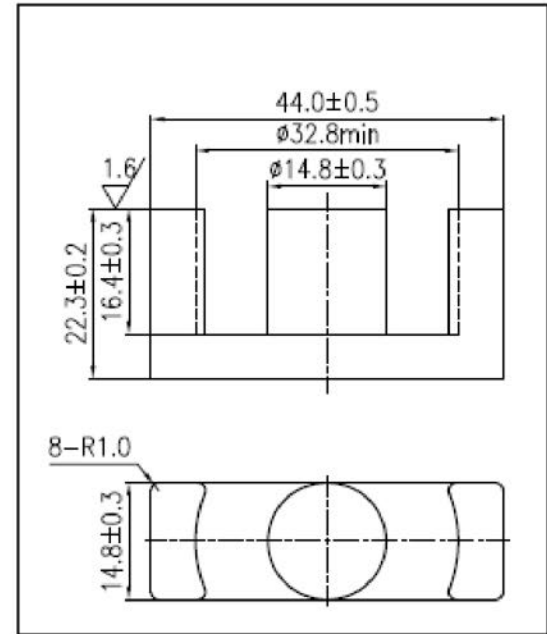


CORE SETS

Effective core parameters

SYMBOL	PARAMETER	VALUE	UNIT
$\Sigma (1/A)$	core factor (C_1)	0.59	mm^{-1}
V_e	effective volume	18200.00	mm^3
l_e	effective length	104.00	mm
A_e	effective area	175.00	mm^2
A_{\min}	minimum area	172.03	mm^2
W_t	mass of core set	≈ 94.0	g



Characteristic

GRADE	AL (nH/N^2)	B (mT)	CORE LOSS (W)
	f=10kHz U=0.25V	H=250A/m f=25kHz T=100°C	f=100kHz B=200mT T=100°C
DMR40	$3600 \pm 25\%$	≥ 320	≤ 11.28
DMR44	$3600 \pm 25\%$	≥ 320	≤ 10.34
DMR47	$3700 \pm 25\%$	≥ 340	≤ 9.40
DMR95	$5000 \pm 25\%$	≥ 340	≤ 10.01

GAP

GRADE	GAP (mm)	AL (nH)	μ_e
DMR44	2.00	$110 \pm 5\%$	50
DMR44	1.50	$140 \pm 5\%$	68
DMR44	1.00	$210 \pm 5\%$	100
DMR44	0.50	$400 \pm 5\%$	188
DMR44	0.20	$920 \pm 5\%$	420