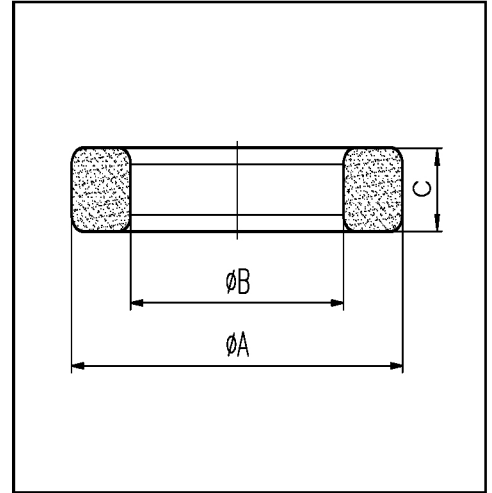


CORE SETS

Effective core parameters

SYMBOL	PARAMETER	VALUE	UNIT
$\Sigma (1/A)$	core factor ( $C_1$ )	0.77	$\text{mm}^{-1}$
$V_e$	effective volume	8465.7	$\text{mm}^3$
$l_e$	effective length	96.20	mm
$A_e$	effective area	125.00	$\text{mm}^2$
$W_t$	mass of core	$\approx 42$	g



尺寸	A	B	C
Coat			
Uncoat	$40.0 \pm 0.6$	$24.0 \pm 0.5$	$11.0 \pm 0.4$
Coated	41.0max	23.1min	11.9max

Note: With grass green epoxy coating

Characteristic

GRADE	$AL (\text{nH}/\text{N}^2)$	$B (\text{mT})$	CORE LOSS (W)
		$f=10\text{kHz}$ $U=0.25\text{V}$	$H=250\text{A}/\text{m}$ $f=25\text{kHz}$ $T=100^\circ\text{C}$
DMR44	$2760 \pm 25\%$	$\geq 320$	$\leq 6.80$