



a



b



c



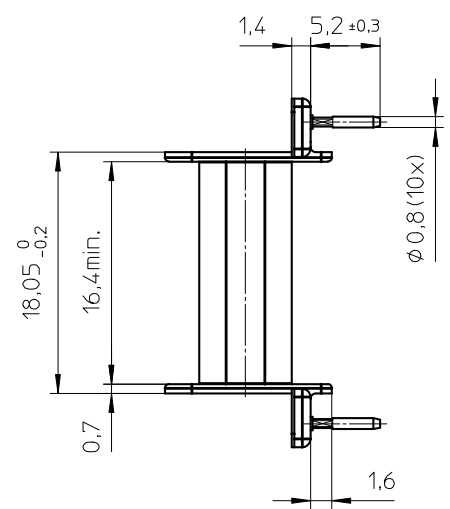
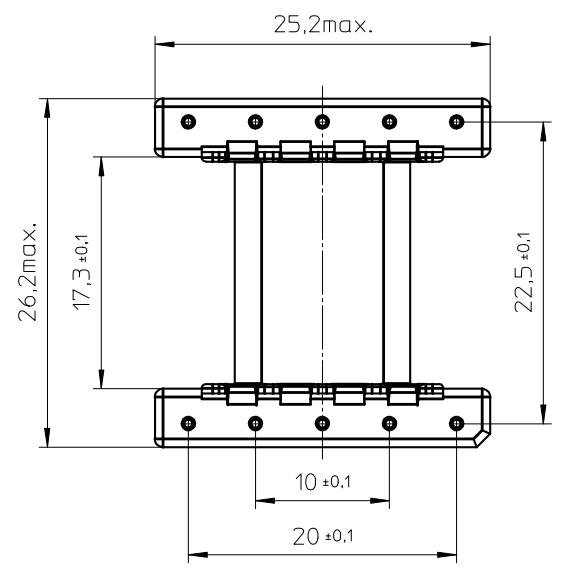
d



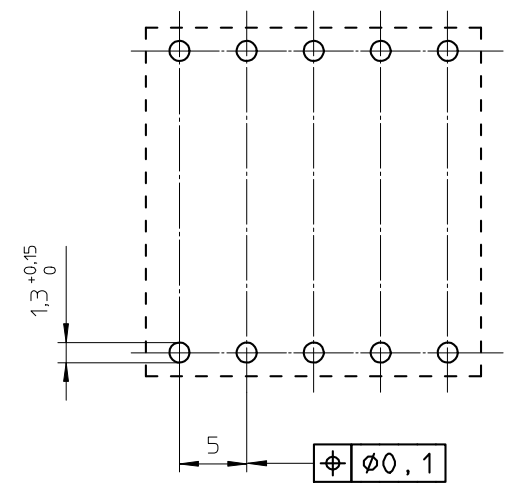
e



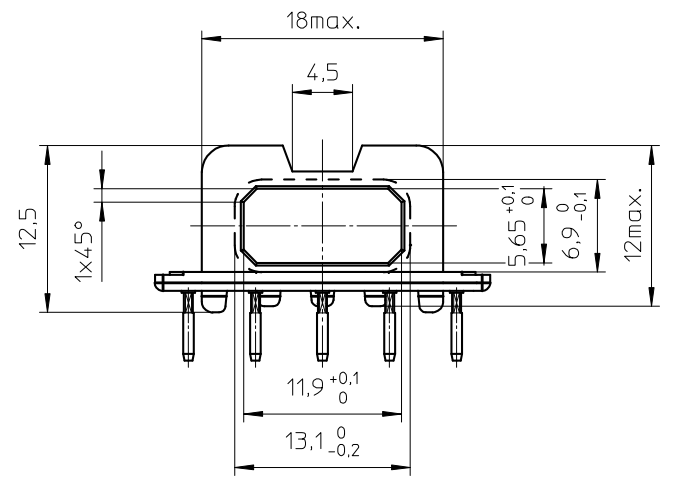
f



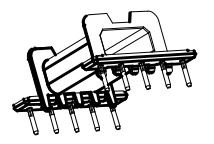
HOLE PATTERN:



**PHASED OUT**



Coil former material: Sumikon PM-9630 (PF), glass-reinforced.  
 UL file number: E41429 - UL94V-0.  
 Pin material: CuSn - Ni flash, Sn plated.  
 Max. operating temp.: acc. to IEC 60 085 class H, 180°C.  
 Resistance to soldering heat: acc. to IEC 60 068-2-20 Part 2, Test Tb, method 1B, 350°C-3,5s  
 Solderability: acc. to IEC 60 068-2-20 Part 2, Test Ta, method 1, 235°C-2s  
 Min. winding area: 40 mm<sup>2</sup>.  
 Mean length of turn: 46 mm.



CLASSNO.		07-11-09		07-11-09		CSH-EFD25-1S-10P-IZ		4322 021 06941		07-11-09		2-08-2011	
NAME	M.Tryngiel	SUPERS.	001	SP/SH	112 - 001	069	A3						
MPA	CHECK CONTR.	DAT.	07-11-09	Property of	Eigendom van	© FERROXCUBE 2007							