

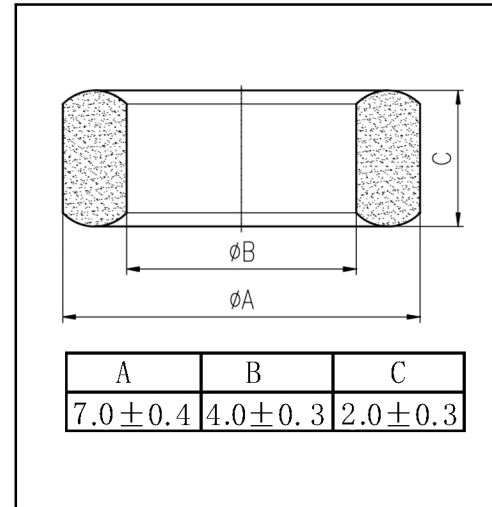


H cores H 7 x 4 x 2



Effective core parameters

SYMBOL	PARAMETER	VALUE	UNIT
	mass	0.26	gr
Ve	effective volume	49.4	mm ³
le	effective length	16.40	mm
Ae	effective area	2.92	mm ²
Wt	mass of core	≈0.4	g



Characteristic

GRADE	AL (nH/N ²)	B (mT)	CORE LOSS (W)
	f=10kHz U=0.25V	H=250A/m f=25kHz T=100°C	f=100kHz B=200mT T=100°C
DMR44	430 ± 25%	≥315	≤0.10