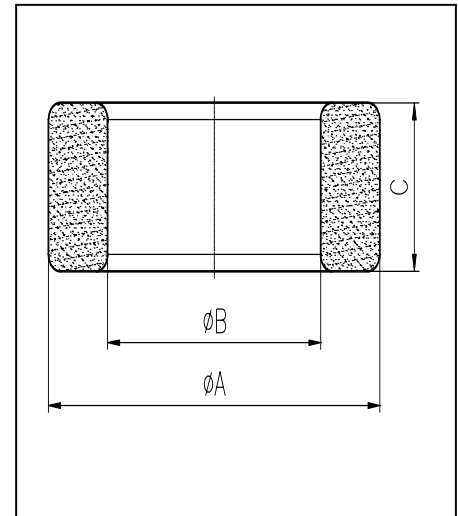


CORE SETS

Effective core parameters

SYMBOL	PARAMETER	VALUE	UNIT
$\Sigma (1/A)$	core factor (C_1)	0.50	mm^{-1}
V_e	effective volume	46512.00	mm^3
l_e	effective length	152.00	mm
A_e	effective area	306.00	mm^2
W_t	mass of core	≈ 242.0	g



尺寸	A	B	C
Coat			
Uncoat	63.0 ± 1.0	38.0 ± 0.8	25.0 ± 0.6
Coated	64.5max	36.8min	26.2max

Note: With grass green epoxy coating

Characteristic

GRADE	AL (nH/N^2)	B (mT)	CORE LOSS (W)
	$f=10\text{kHz}$ $U=0.25\text{V}$	$H=250\text{A}/\text{m}$ $f=25\text{kHz}$ $T=100^\circ\text{C}$	$f=100\text{kHz}$ $B=200\text{mT}$ $T=100^\circ\text{C}$
DMR40	$5500 \pm 25\%$	≥ 315	≤ 31.5
DMR44	$5500 \pm 25\%$	≥ 315	≤ 29.0
DMR95	$8000 \pm 25\%$	≥ 315	≤ 27.83

GRADE	AL (nH/N^2)	μi
	$f=10\text{kHz}$ $U=0.25\text{V}$	$f=10\text{kHz}$ $U=0.25\text{V}$
R5K	$12600 \pm 25\%$	≈ 5000
R7K	$17000 \pm 25\%$	≈ 7000
R10K	$24000 \pm 30\%$	≈ 10000
R12K	≥ 19000	≈ 12000