

## HSA Series

### 应用Applications

- 适用于各种规格的IGBT缓冲吸收保护。  
Used in applications of snubber protection of various.

### 产品描述Description of Products

- 引用标准GB/T17702, IEC61071,GB/T2693, IEC60384-1  
Reference standard: GB/T17702, IEC61071,GB/T2693, IEC60384-1
- 双面金属化极板, 聚丙烯介质无感式卷绕;  
Double sided metallized polar plate, polypropylene dielectric non-inductive winding.
- 具有低的ESR和高的dv/dt特性;  
Low ESR and high dv/dt.
- 可承受很大的峰-峰值电流Ipp和高频有效值电流Irms;  
Withstanding very high peak to peak value of current Ipp and Irms



### 工艺特点Technology Features

- 采用双面金属化膜做电极, 以提高dv/dt特性;  
To adopt double sided metallized film electrode to enhance dv/dt property.
- 可提供内置快恢复管的模块化器件。  
To offer module devices with in-built quick recovery transistor.

## GENERAL TECHNICAL CHARACTERISTICS

Reference standards	IEC 61071
Climatic category	40/85/56
Dielectric	Polypropylene film
Construction	Double-side metallized carrier film
Features	Low ESR,Low Ls,high du/dt
Case	Polyester tape wrapping, UL94V0

## ELECTRICAL CHARACTERISTICS

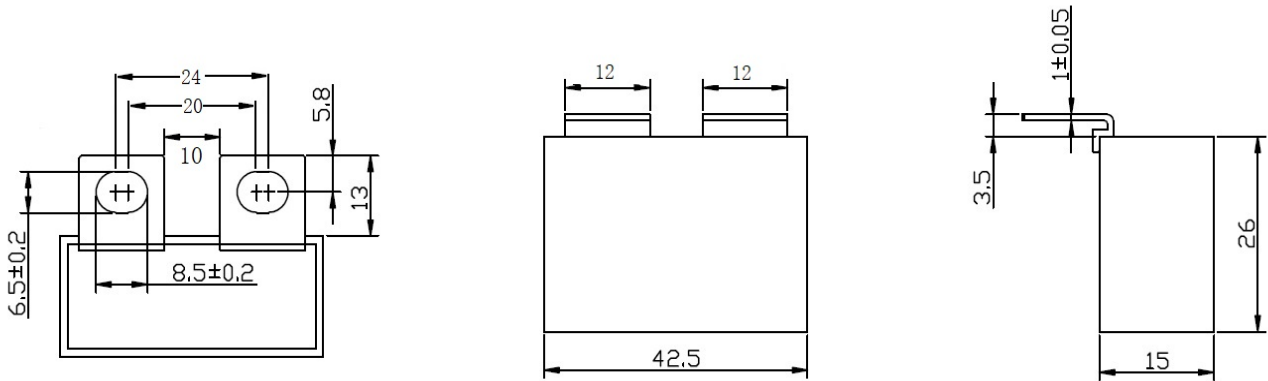
Working temperature	-40 to + 85°C(max hotspot≤70°C)
Storage temperature	-40 to + 85°C
Capacitance	0.047 to 10μF
Rated Voltage	700 to 3000 Vdc
Dissipation factor	<0.0005(1k Hz 20± 5°C)
Tolerance	± 5%(J) ± 10%(K)
Life expectancy	100,000 hours at Un and 70°C

## TEST METHODS AND PERFORMANCES

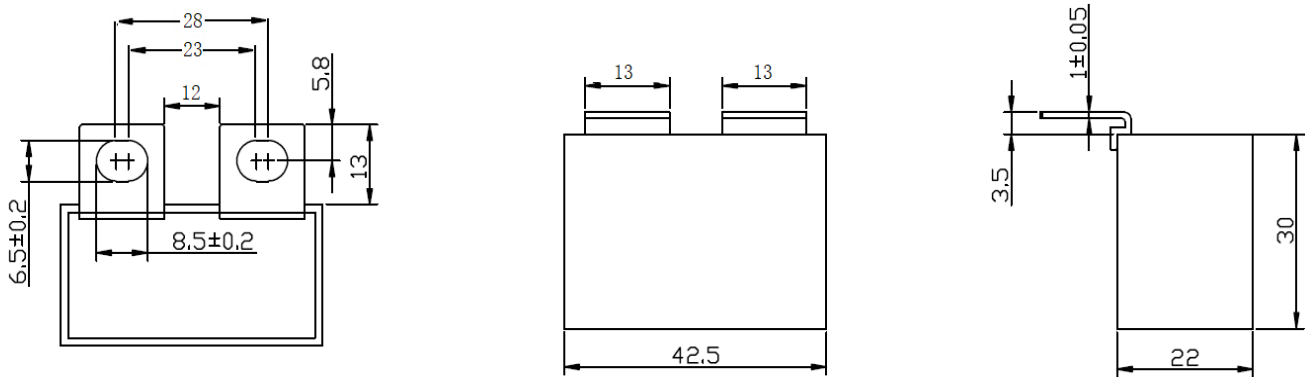
Insulation resistance :	30,000s but need not exceed 30GΩ after 1 minute of electrification at 100Vdc (25±5°C)
Test voltage terminal to case :	3 KV 50Hz for 60 sec
Dielectric strength:	1.5Ur (DC) applied for 10s at 25±5°C

## Outline drawing

**0.47uF 1000V SIZE**



**1uF 1000V SIZE**



## Electrical specifications, ordering codes

Cap (μF)	Dimention(mm)			dv/dt (v/μs)	Ipeak A	Irms max@25°C @100kHz	ESR @100kHz (mΩ)	Part Number
	L	T	H					
Ur 1000Vdc, Urms 480Vac, Upk 1400Vdc								
0.47	42.5	15.0	26.0	480	225	8.5	7.0	HSA474J102D1
1.00	42.5	22.0	30.0	480	480	12.5	4.0	HSA105J102D1