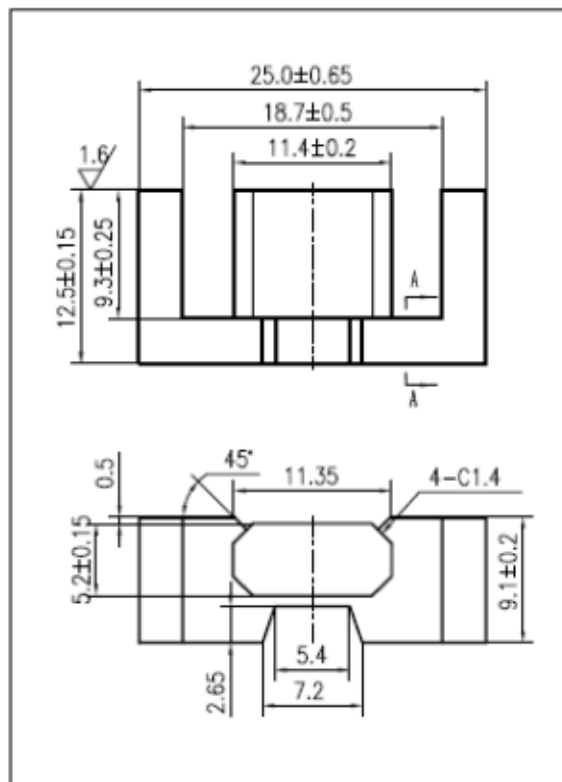


CORE SETS

Effective core parameters

SYMBOL	PARAMETER	VALUE	UNIT
$\Sigma (1/A)$	core factor (C_1)	1.0	mm^{-1}
V_e	effective volume	3306.0	mm^3
l_e	effective length	57.0	mm
A_e	effective area	58.0	mm^2
A_{\min}	minimum area	55.0	mm^2
W_t	mass of core set	≈ 16.1	g



Characteristic

GRADE	AL (nH/N^2)	B (mT)	CORE LOSS (W)	
	f=10kHz U=0.25V	H=250A/m f=25kHz T=100°C	f=100kHz B=200mT T=100°C	
DMR24	1800 ± 25%	≥ 300	≤ 2.50	
DMR40	2200 ± 25%	≥ 290	≤ 2.26	
DMR44	2200 ± 25%	≥ 290	≤ 1.77	
DMR47	2300 ± 25%	≥ 300	≤ 1.53	
DMR95	2800 ± 25%	≥ 290	≤ 1.82	

GRADE	AL (nH/N^2)	B (mT)	CORE LOSS (W)	
	f=10kHz U=0.25V	H=250A/m f=25kHz T=100°C	f=500kHz B=50mT T=100°C	f=3MHz B=10mT T=100°C
DMR50B	1500 ± 25%	≥ 275	≤ 0.86	—
DMR55	1800 ± 25%	≥ 275	≤ 1.06	—