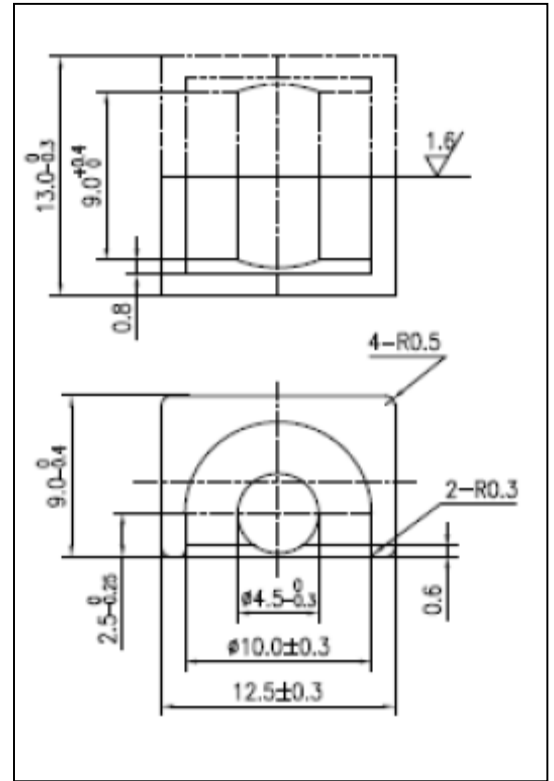


CORE SETS

Effective core parameters

SYMBOL	PARAMETER	VALUE	UNIT
$\Sigma (1/A)$	core factor( $C_1$ )	1.24	$\text{mm}^{-1}$
$V_e$	effective volume	471.9	$\text{mm}^3$
$l_e$	effective length	24.2	mm
$A_e$	effective area	19.5	$\text{mm}^2$
$A_{\min}$	minimum area	14.9	$\text{mm}^2$
$W_t$	mass of core set	$\approx 5.1$	g



Characteristic

GRADE	AL (nH/N <sup>2</sup> )	B (mT)	CORE LOSS (W)
	f=10kHz U=0.25V	H=250A/m f=25kHz T=100°C	f=100kHz B=200mT T=100°C
DMR40	$1500 \pm 25\%$	$\geq 315$	$\leq 0.30$
DMR44	$1500 \pm 25\%$	$\geq 315$	$\leq 0.26$
DMR95	$2000 \pm 25\%$	$\geq 315$	$\leq 0.26$

GRADE	AL (nH/N <sup>2</sup> )	B (mT)	CORE LOSS (W)
	f=10kHz U=0.25V	H=250A/m f=25kHz T=100°C	f=500kHz B=50mT T=100°C
DMR50B	$950 \pm 25\%$	$\geq 300$	$\leq 0.08$
DMR55	$1200 \pm 25\%$	$\geq 300$	$\leq 0.15$

GRADE	AL (nH/N <sup>2</sup> )	$\mu_i$
	f=10kHz U=0.25V	f=10kHz U=0.25V
DMR71	$1800 \pm 25\%$	$\approx 3800$
R5K	$2200 \pm 25\%$	$\approx 5000$
R7K	$3200 \pm 25\%$	$\approx 7000$
R10K	$7350 \pm 30\%$ (mirror)	$\approx 10000$
R12K	8850min (mirror)	$\approx 12000$