

FERROXCUBE



c



d

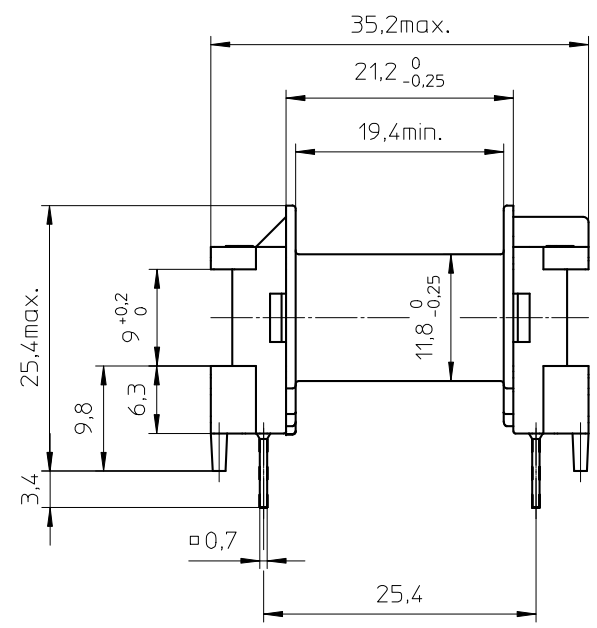
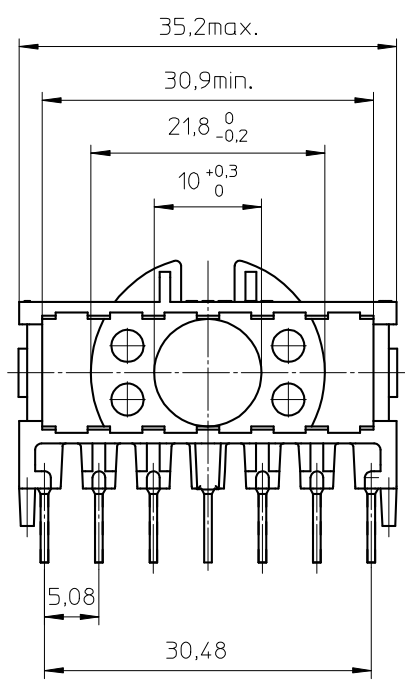


e

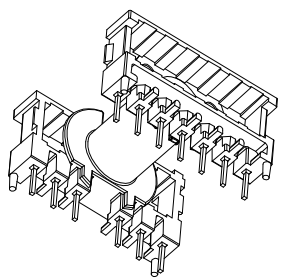
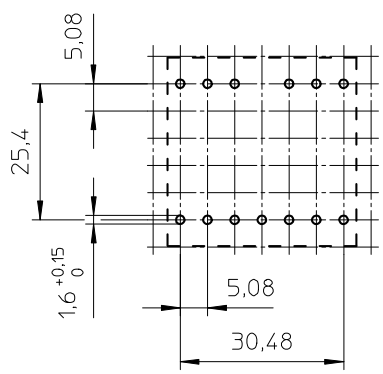
f



1 2 3 4 5 6 7 8



HOLE PATTERN:



Coil former material: Valox 420SE0 (PBT), glass-reinforced.
 UL file number: E45329(R) - UL94V-0.
 Pin material: CuSn - Ni flash, Sn plated.
 Max. operating temp.: acc. to IEC 60 085 class F, 155°C.
 Resistance to soldering heat: acc. to IEC 60 068-2-20 Part 2, Test Tb, method 1B, 350°C-3,5s.
 Solderability: acc. to IEC 60 068-2-20 Part 2, Test Ta, method 1, 235°C-2s.
 Min. winding area: 95 mm².
 Mean length of turn: 52 mm.

CLASSNO.		CPH-ETD29-1S-13P		4322 021 34381		98-07-30
00-05-11						00-05-11
NAME NAAM		M.Tryngiel		SUPERS. VERV.		001
MPA		CHECK CONTR.		DAT.		98-07-30
		Property of Eigenaam van		SP/SH BL/BL		112 - 001
						069
						A3
© FERROXCUBE 2000						

1 2 3 4