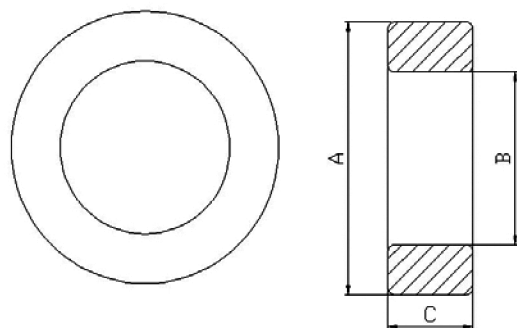
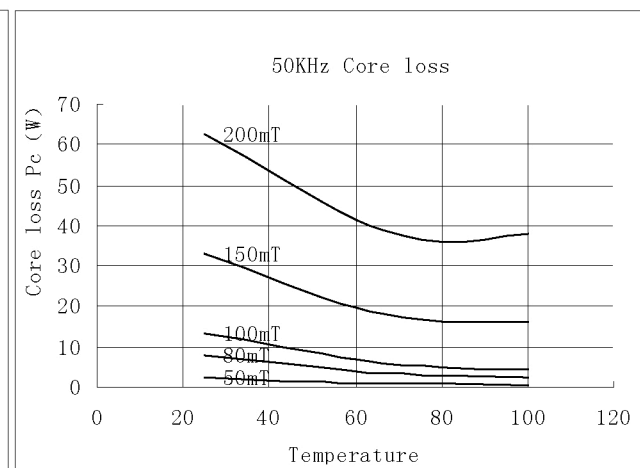
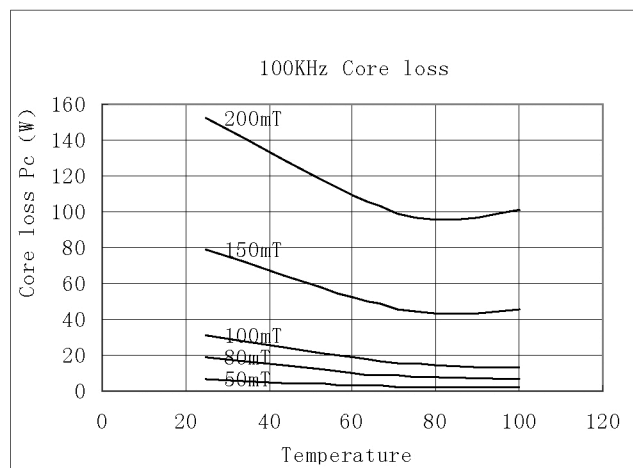




Parameter	Symbol	Unit	
Material		HK4	
Effective path length	Le	558	mm
Effective area	Ae	613	mm <sup>2</sup>
Effective volume	Ve	342054	mm <sup>3</sup>
Inductance factor	AL	5520	nH/N <sup>2</sup>
Weight	W	1636	g



A	202 ± 4mm
B	153 ± 3mm
C	25 ± 1.0 mm



**LEPCOS (NWL)**  
<http://ferrite.ru>

**Типоразмер: H202 x 153 x 25**

**Материал: HK4**