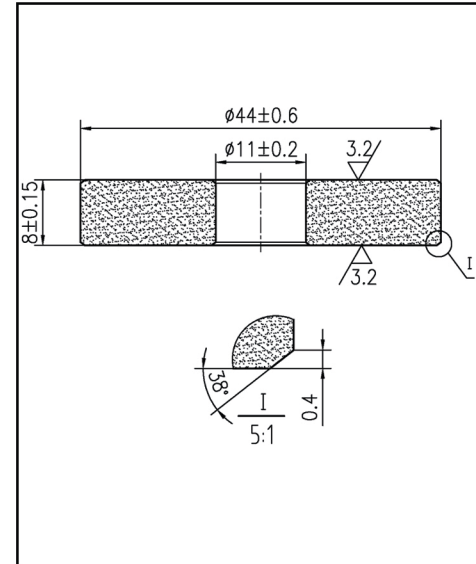


## H 44 x 11 x 8 P

### CORE SETS

#### Effective core parameters

SYMBOL	PARAMETER	VALUE	UNIT
$\Sigma (1/A)$	core factor ( $C_1$ )	1.13	$\text{mm}^{-1}$
$V_e$	effective volume	11376.00	$\text{mm}^3$
$l_e$	effective length	114.00	mm
$A_e$	effective area	90.10	$\text{mm}^2$
$W_t$	mass of core	$\approx 101.1$	g



### Characteristic

GRADE	AL ( $\text{nH}/\text{N}^2$ )	B (mT)	CORE LOSS (W)
	f=10kHz U=0.25V	H=250A/m f=25kHz T=100°C	f=100kHz B=200mT T=100°C
DMR40	$2750 \pm 25\%$	$\geq 315$	$\leq 7.33$