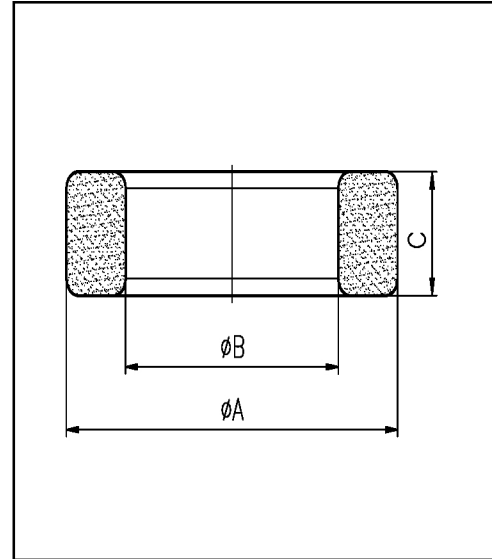


Effective core parameters

SYMBOL	PARAMETER	VALUE	UNIT
$\Sigma (1/A)$	core factor (C_1)	2.07	mm^{-1}
V_e	effective volume	1417	mm^3
l_e	effective length	54.15	mm
A_e	effective area	26.17	mm^2
W_t	mass of core	≈ 6.8	g



尺寸	A	B	C
Coat			
Uncoat	22.1 ± 0.4	13.7 ± 0.3	6.35 ± 0.3
Coated	22.8max	13.0min	7.4 max

Note: With grass green epoxy coating

Characteristic

GRADE	AL (nH/N^2)	μi
		f=10kHz U=0.25V
R10K	$6070 \pm 30\%$	≈ 10000