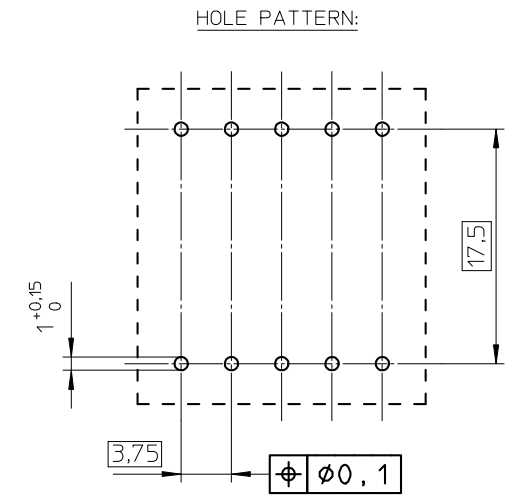
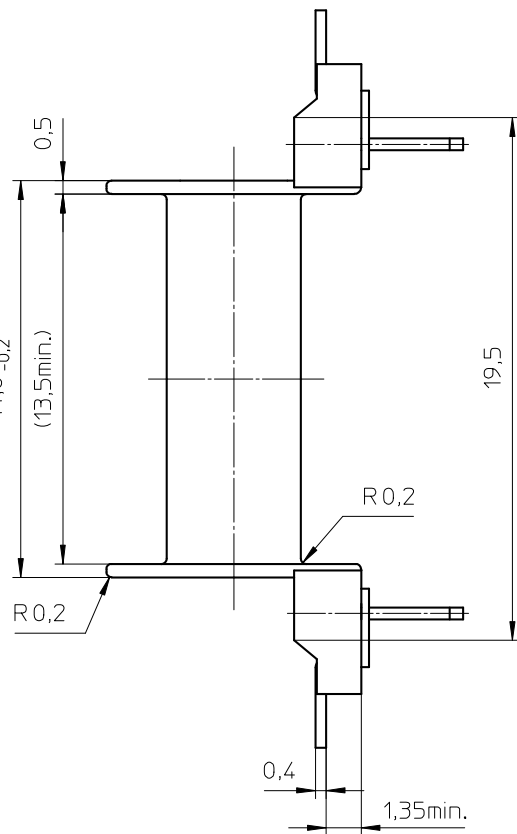
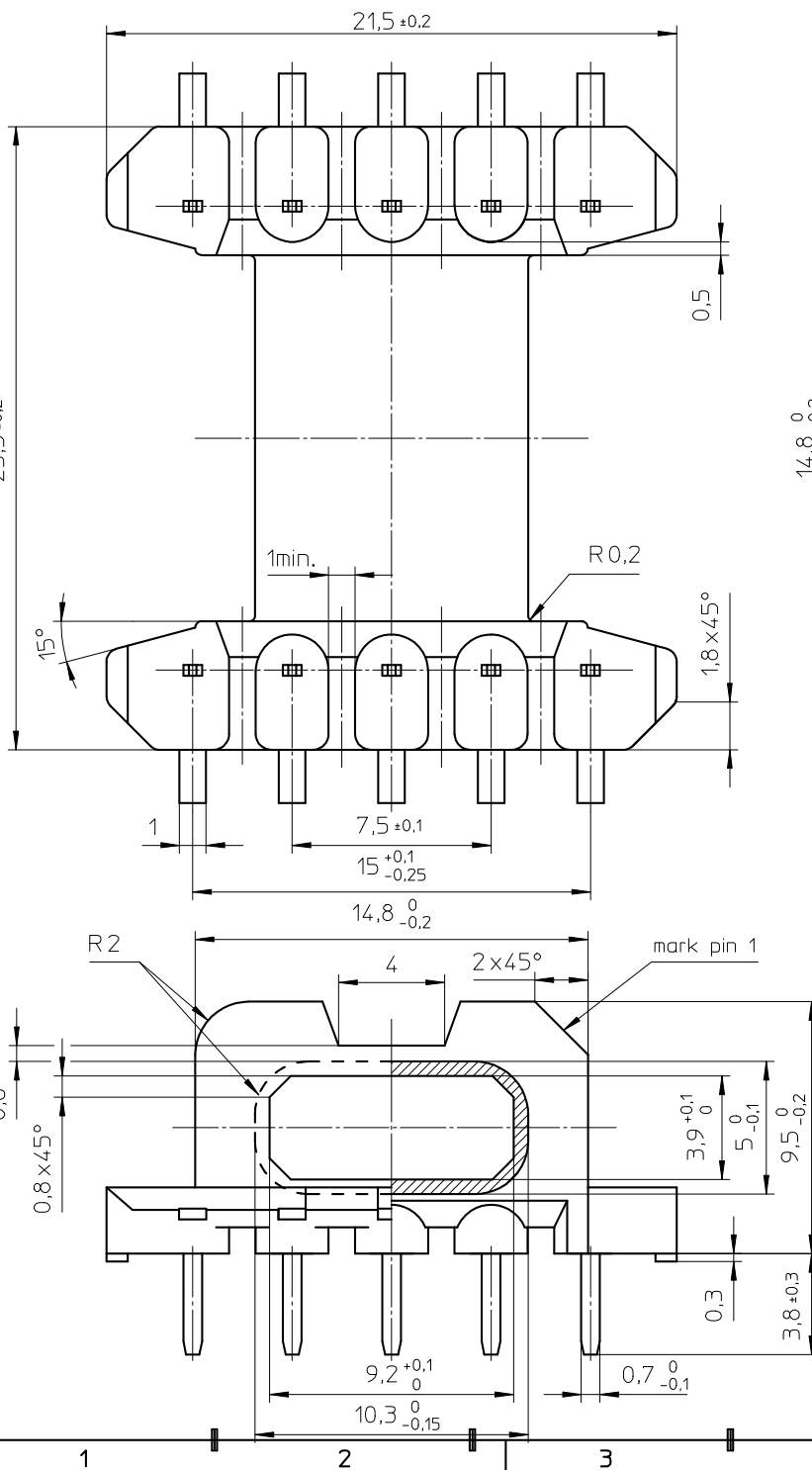


FERROXCUBE



Coil former material: Sumikasuper (LCP), glass-reinforced.
 UL file number: E54705 - UL94V-0.
 Pin material: CuSn - Ni flash, Sn plated.
 Max. operating temp.: acc. to IEC 60085 class F, 155°C.
 Resistance to soldering heat: acc. to IEC 60068-2-20 Part 2, Test Tb, method 1B, 350°C - 3,5sec
 Solderability: acc. to IEC 60068-2-20 Part 2, Test Ta, method 1, 235°C - 2sec.
 Min. winding area: 27,7 mm².
 Mean length of turn: 34,1 mm.

CLASSNO.		CPH-EFD20-1S-10PD-Z		4322 021 06161		03-02-25
NAME		M.Trynqiel		SUPERV.		112 - 001
VER.		03-02-25		PROPERTY OF		069
MPA		CHECK CONTR.		DATE		A3
© FERROXCUBE 2000						