

产品规格承认书

SPECIFICATION FOR APPROVAL

(铁粉心系列产品)

Iron powder core

客户产品名称(材料):

Customer Part Number

东磁产品名称(材料):

DT400-52D

DMEGC Part Number

内 容

CONTENT

| | |
|-----------|---|
| 1 外形和尺寸 | Shape and Dimensions |
| 2 外观要求 | Appearance Requirement |
| 3 电磁和机械特性 | Electromagnetic and Mechanical Property |
| 4 材料特性 | Material Characteristics |
| 5 包 装 | Packing |
| 6 验收规则 | Inspection Rules |
| 7 说 明 | Note |

客户名称:

俄罗斯 LEPCOS

CUSTOMER

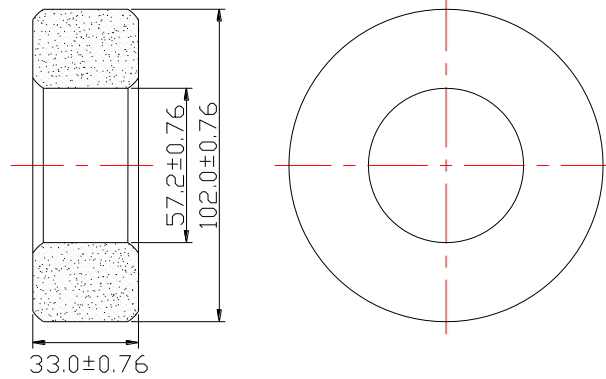
确 认:

APPROVED

| | | | | | | | |
|-------------|----|-------------|-----|----------------|-----|------------|------------|
| 拟制 Drawn | 卢娟 | 审核 Check | 金旭东 | 批准 Approved | 张小杭 | 日期 Date | 2023.06.02 |
|-------------|----|-------------|-----|----------------|-----|------------|------------|

1、外形和尺寸

Shape and Dimensions



| | |
|---|---------------------------|
| 有效磁路长度 EFFECTIVE MAGNETIC PATH LENGTH | 25.0cm (REF) |
| 有效横截面积 EFFECTIVE ACROSS SECTIONAL AREA | 6.85cm ² (REF) |
| 有效体积 EFFECTIVE VOLUME | 171cm ³ (REF) |

2、外观要求

Appearance Requirement

1、铁粉心表面应进行绝缘涂覆处理。

The surface of the iron powder core should be dealt with insulating coating.

2、涂覆后产品表面光滑，无粘纸、起泡、起层、开裂、疙瘩现象。

The surface should be smooth, without bur, blistering, lamination, crack and blotch after coating.

3、掉角不超过两处，每处掉角面积小于 10.0 mm²。

There should be no more than 2 chips. Each chip of the product should be less than 10.0 mm².

备注：该外观要求中英文对照以中文为准，英文仅供参考。

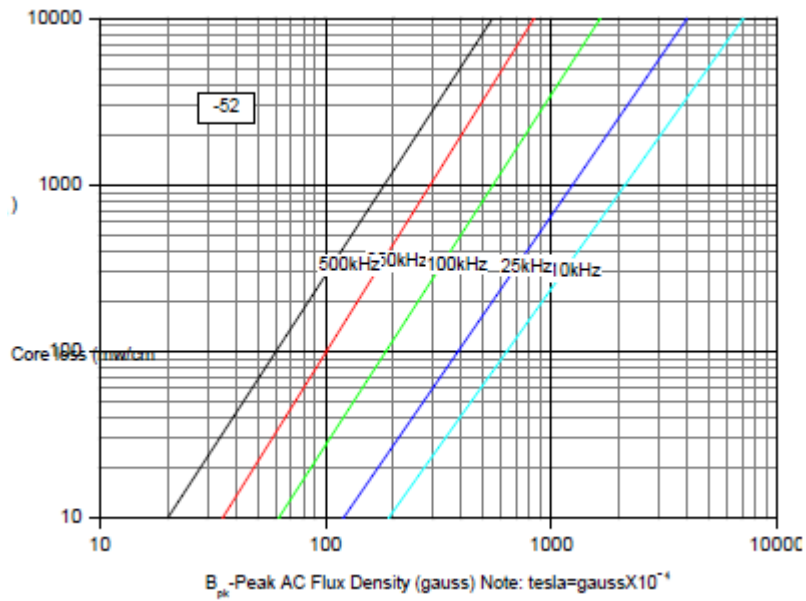
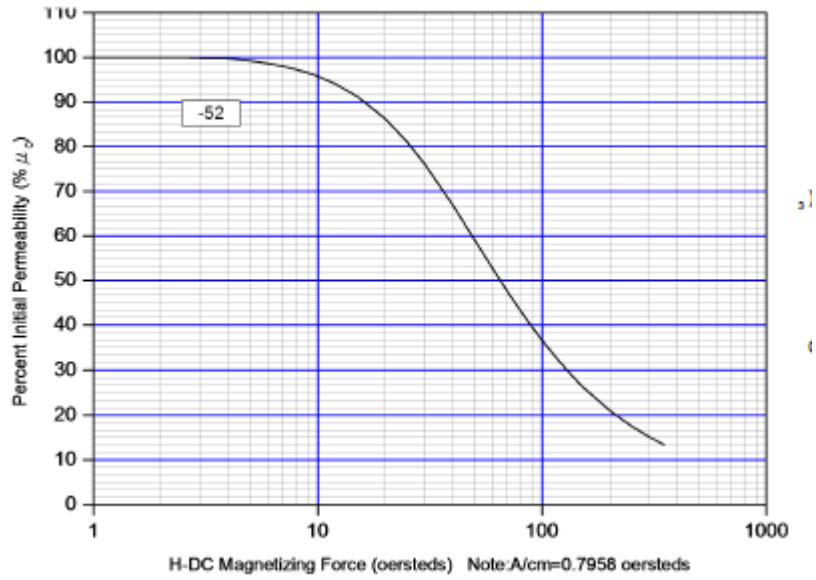
3、电磁和机械特性

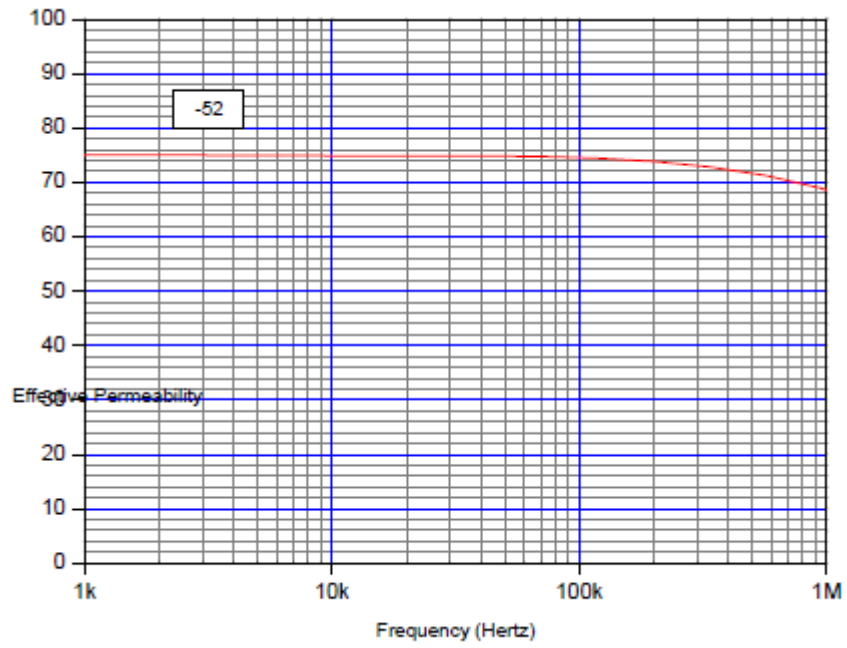
Electromagnetic and Mechanical Property

| 项目(Item) | 数值(Value) | 测试条件(Test Condition) |
|------------------------------|---------------------|--|
| 电感 L1 Inductance | (104.8±15%)μH | 仪器(Equipment): CH3302 或其他同等测试仪器 频率(Frequency): 10kHz 线圈(Coil): Φ0.4mm×20Ts 温度(Temperature): 25±5°C 电压(Voltage): 0.05Vrms |
| Q 值 Q Value | ≥25 | 仪器(Equipment): CH3302 或其他同等测试仪器 频率(Frequency): 100kHz 线圈(Coil): Φ0.4mm×20Ts 温度(Temperature): 25±5°C 电压(Voltage): 1.0Vrms |
| 介质耐压 Dielectric Strength | >1500V | 仪器(Equipment): CH9071A 频率(Frequency): 50Hz 漏电流(Leakage Current): 0.5mA 时间(Time): 10Sec |
| 产品材料 Material | 铁粉 Iron Powder | |
| 涂层材料 Coating Material | 环氧树脂 Epoxy Resin | |
| 颜色 Color | 绿色/蓝色 Green/Blue | |
| 储存温度 Preserve Temperature | -10°C~+40°C | 周围无酸性、碱性以及其他有害物质的干燥库房中。 |
| 湿度 Humidity | 45%~75% | Around free of acid, alkali and other harmful substances in dry warehouse. |

4、材料特性

Material Characteristics





备注：图中列出了材料特性的典型值，用 DT50-52 标准样环测试， 供设计者参考。

5、包装

Packing

1、产品用塑料薄膜卷起，每卷 4 只。

The products are rolled with the plastic sheeting, 4 pieces every coil.

2、将产品装入牛皮纸质双瓦楞纸箱中，每箱 4 卷。箱中有合格证。

The products are put in carton boxes. There are 4 coils in the box. There are certificates of quality in the box.

3. 包装外标识内容包括：型号、数量、生产批号、检验工号、毛重及净重。

External Packing mark includes: DMEGC part number, quantity, Lot Number, inspector number, gross weight and net weight.

备注：该包装要求中英文对照以中文为准，英文仅供参考。

6、验收规则

Inspection Rules

1、产品的验收按 GB/T2828.1-2003 规定进行,其检查水平: 外观、尺寸II,AQL:0.65;L 值、Q 值,S-3,AQL:0.65。

The work of cores inspection must be conduct per GB/T2828.1-2003,with its examination level: appearance and dimensions II,AQL value: 0.65; inductance, Q value,S-3, AQL: 0.65.

2、客户在接收到产品后一个月内须验收完毕,并将验收结果书面通知供货方,否则视为已验收合格。

Inspection will be completed and inspection result will be feedback to DMEGC in written within one month after cores are received from DMEGC or it will be considered approved by customer.

7、说明

NOTE

1 本承认书的数据更改需经双方确认,任何一方单独修改无效。

Any revision to the specification Approval must be confirmed by both the supplier and the customer, otherwise the revision is invalid.

2 本承认书在客户收到 7 天之内,必须签章返回,逾期视为默认。

The specification Approval should be sent back to the supplier with customer's chop on it within 7 days after receiving it, or we will take it as approved by customer.