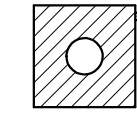


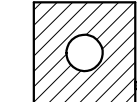
FERROXCUBE



a



b



c



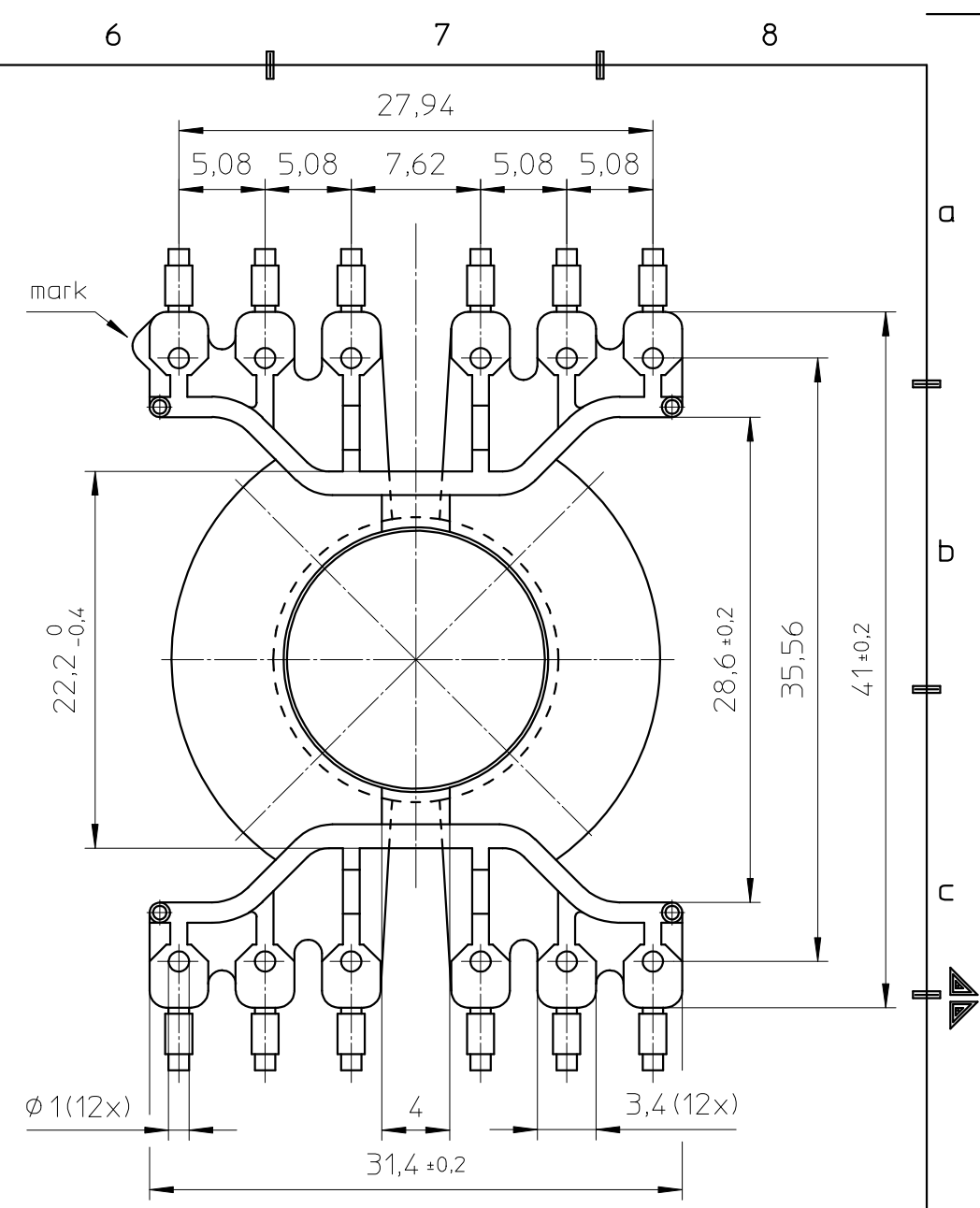
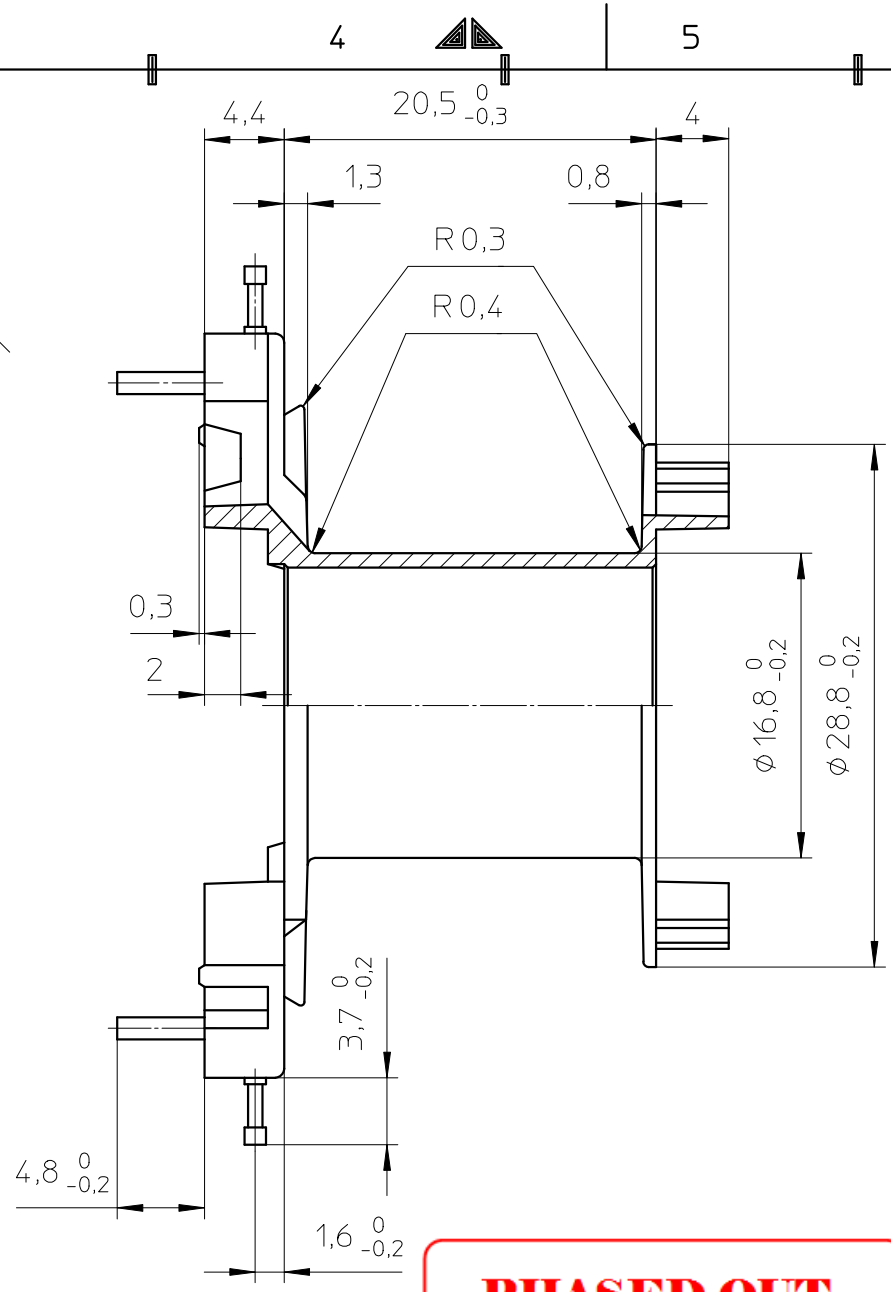
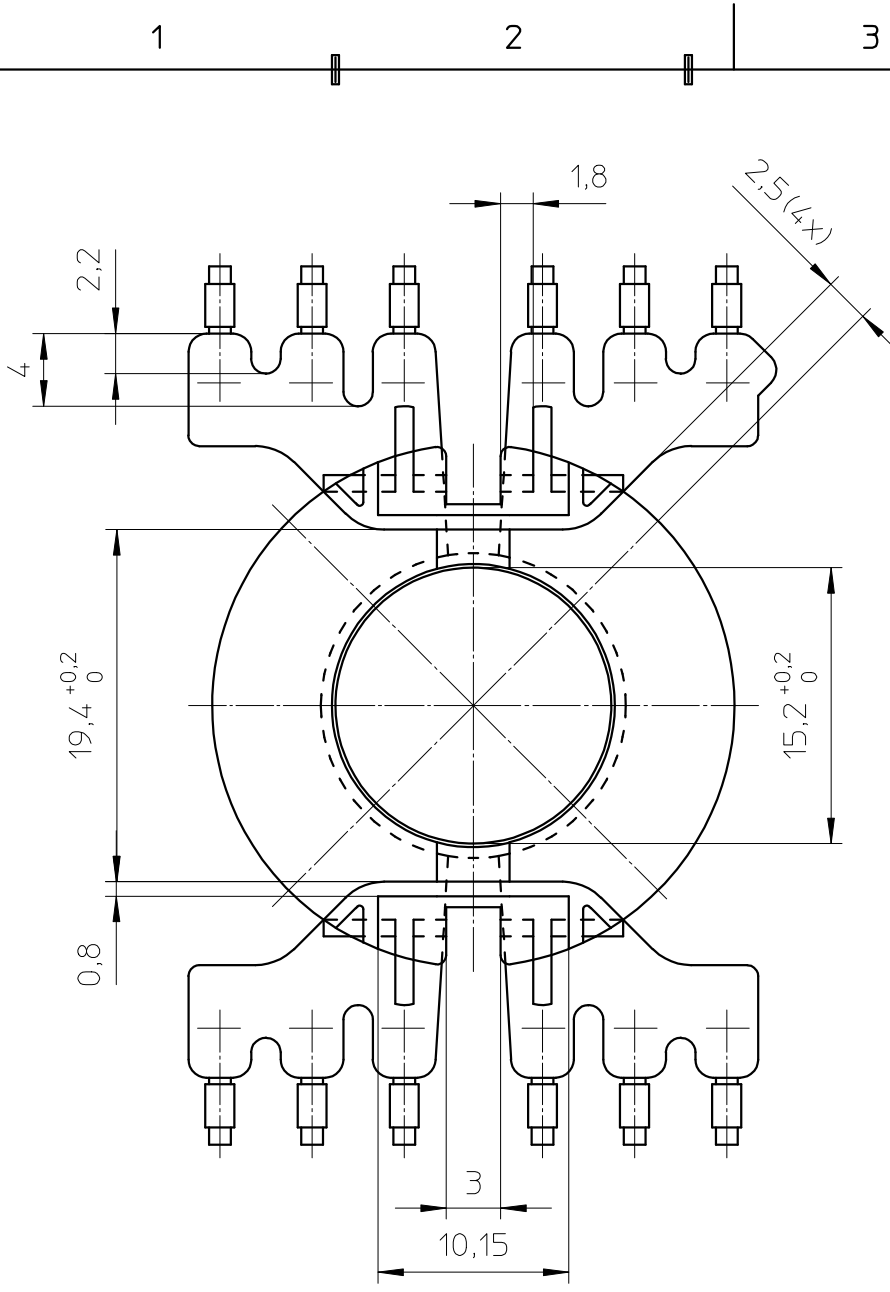
d



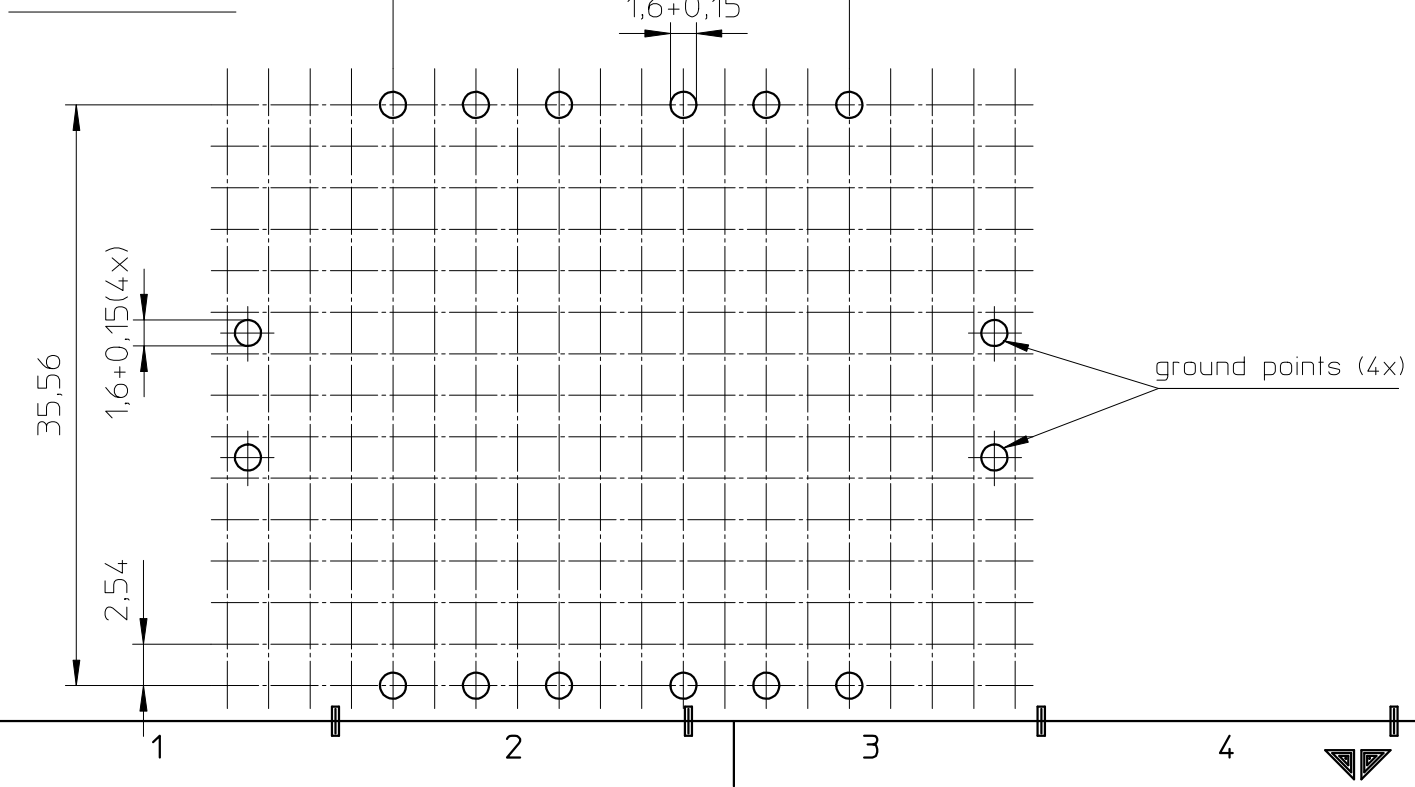
e



f



HOLE PATTERN:



PHASED OUT

Coil former material: Valox 420SE0 (PBT), glass-reinforced.
 UL file number: E45329(R) - UL94V-0.
 Pin material: CuSn - Ni flash, Sn plated.
 Max. operating temp.: acc. to IEC 60 085 class F, 155°C.
 Resistance to soldering heat: acc. to IEC 60 068-2-20 Part 2, Test Tb, method 1B, 350°C - 3,5sec.
 Solderability: acc. to IEC 60 068-2-20 Part 2, Test Ta, method 1, 235°C - 2sec.
 Min. winding area: 111 mm².
 Mean length of turn: 71 mm.

CLASS.NO.	CPV-RM14/I-1S-12PD		4322 021 34072		95-09-18
00-04-13					96-08-20
NAME NAAM	M.Veekens	SUPERS. VERV.	001 SH SH BL BL	112 - 001	069
MPA	CHECK CONTR.	DAT.	90-10-08	Property of Eigendom van	© FERROXCUBE 2000
					A3