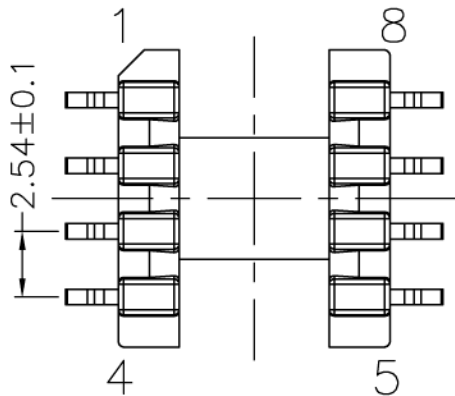
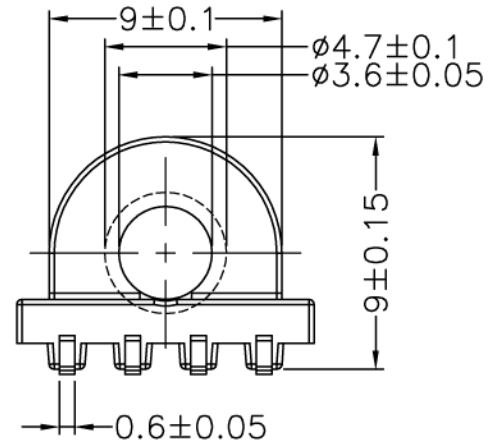
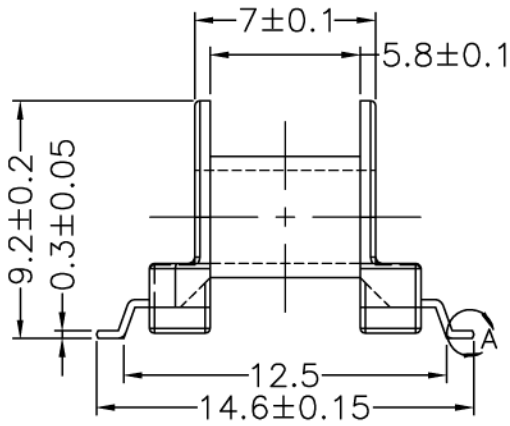
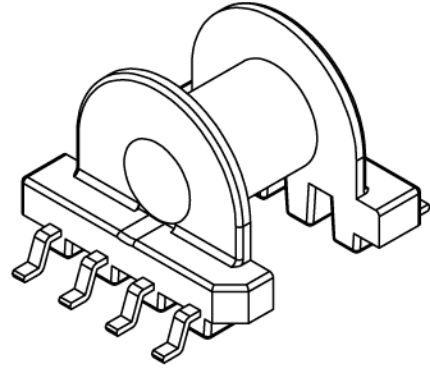
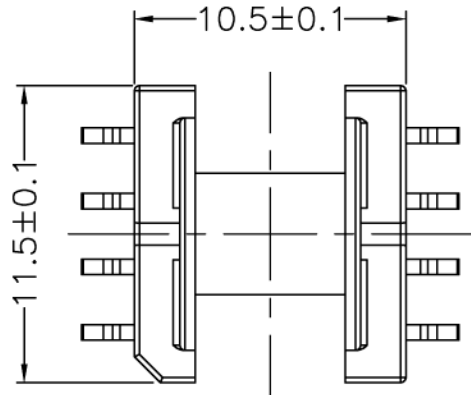
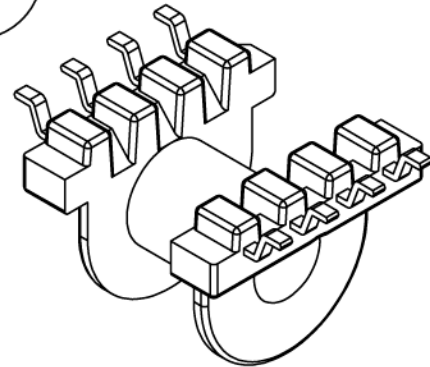


LEPCOS (North-West Laboratory)
 http://ferrite.ru Tel/fax +7-812-369-11-54
 St-Petesburg, Russia

| REVISIONS | | | | |
|-----------|-----|---------|---------|----------|
| REV | SYM | DRAFTER | CHECKER | DATE |
| △ | | T.S.LII | W.H.HSU | 10/16/02 |
| △ | | T.S.LII | W.H.HSU | 09/08/03 |
| △ | | T.S.LII | W.H.HSU | 12/17/03 |



DETAIL: A
PATENTED



PART NO. Bobbin EP10 1sec 8 pin SMD

DWG NO. E-013

TBI NO. MATERIAL (BOBBIN) MATERIAL (TERMINAL) TERMINAL (PLATING)

E-013 PM-9630 P.B Sn

PART NO. REV .103

MODE NO ALL PIN

Finish: 1-1. Immersion gold on terminal. Thickness gold 0.075 μm (3 μ inches) min, Base nickel 0.625 μm (25 μ inches) min.

1-2. Immersion Sn on terminal. Terminal: Sn plating, 100, 5 μm (200 μ inches) min. Base nickel 0.625 μm (25 μ inches) min.

1-3. Immersion Sn/Pb on terminal. Terminal: Sn/Pb plating, 90/10, 5 μm (200 μ inches) min. Base nickel 0.625 μm (25 μ inches) min. (for pin GW type)

2. Coplanarity deviation: 0.004 inches max.

TOLERANCE .X ± 0.15
 .XX ± 0.10
 .XXX ± 0.05

UNIT m/m

SCALE 3.5 : 1

REV 7

PIN LOCATION