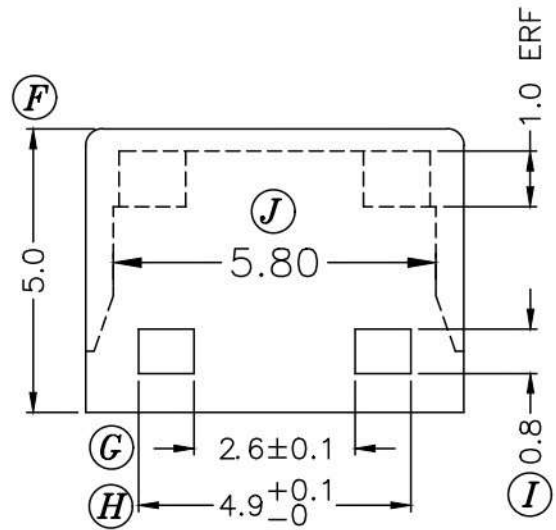
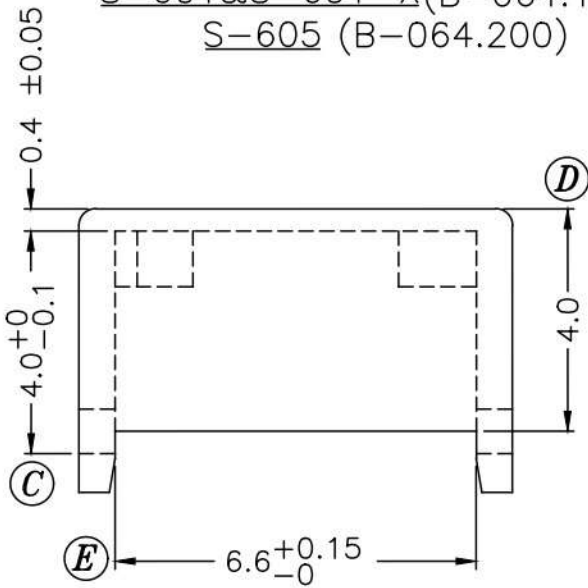


S-601&S-601-X(B-064.100)  
S-605 (B-064.200)



C-064-2是在C-064的基础上新增LCP R8240 BK 材质生产.

REV.	REVISIONS	REC.	DATE.	REV.	REVISIONS	REC.	DATE.

DRAWN & DRAFTED BY GUAN XIN HAI	TOLERANCES		ANGLE: $\pm 1^\circ$	TITLE: COVER EE-6.3		
	0<L≤4 ±0.1	pin pitch	UNIT: MM	BOBBIN MATERIAL: LCP E4008 BK	UL REC. UL 94V-0	
CHECKED & APPROVED BY	4<L≤16 ±0.2		ORIGIN: DG	PIN MATERIAL:	PIN TENSION LOAD:	
LEPCOS (North-West Laboratory) www.ferrite.ru Tel: +78123691154 St-Petersburg, Russia			DATE: APR 25.2005	DRAWING NO. C-064	REV. 0	