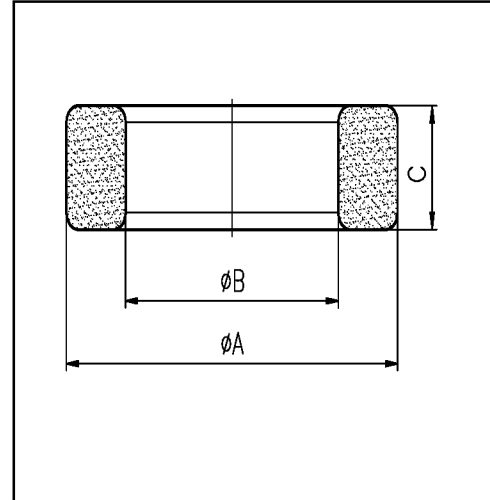


CORE SETS

Effective core parameters

SYMBOL	PARAMETER	VALUE	UNIT
$\Sigma (1/A)$	core factor (C_1)	1.6	mm^{-1}
V_e	effective volume	1763	mm^3
l_e	effective length	54.15	mm
A_e	effective area	32.55	mm^2
W_t	mass of core	≈ 8.4	g



尺寸	A	B	C
Coat			
Uncoat	22.1 ± 0.4	13.7 ± 0.3	7.9 ± 0.3
Coated	22.8max	13.0min	9.0max

Note: With grass green epoxy coating

Characteristic

GRADE	AL (nH/N ²)	B (mT)	CORE LOSS (W)
	f=10kHz U=0.25V	H=250A/m f=25kHz T=100°C	f=100kHz B=200mT T=100°C
DMR44	$1660 \pm 25\%$	≥ 320	≤ 0.95