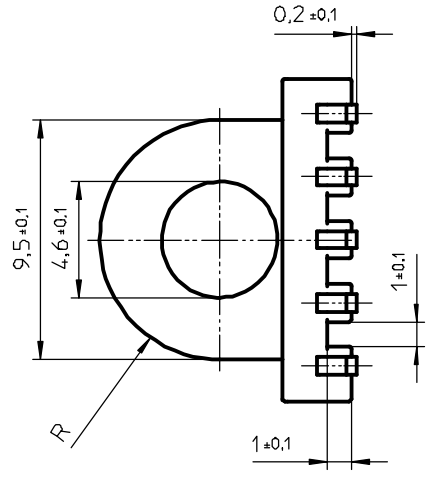
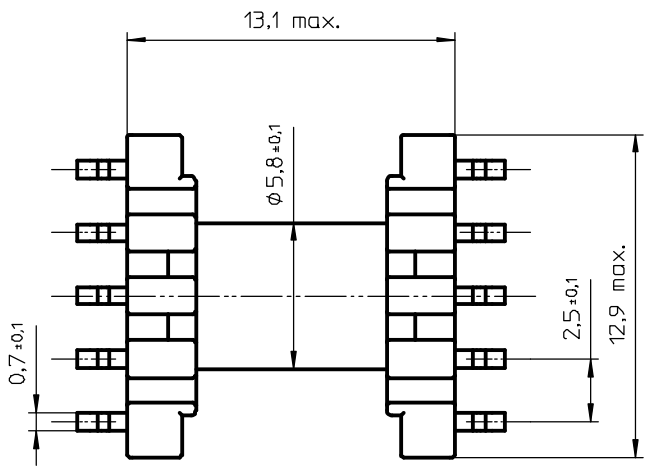




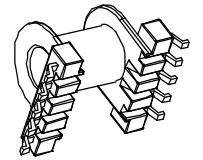
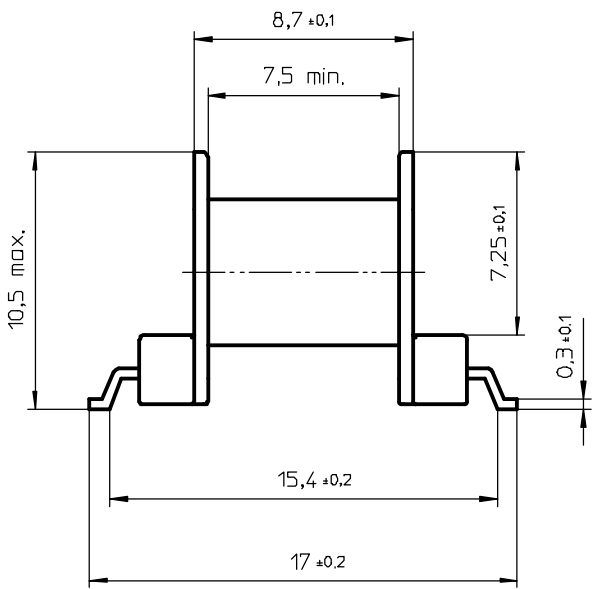
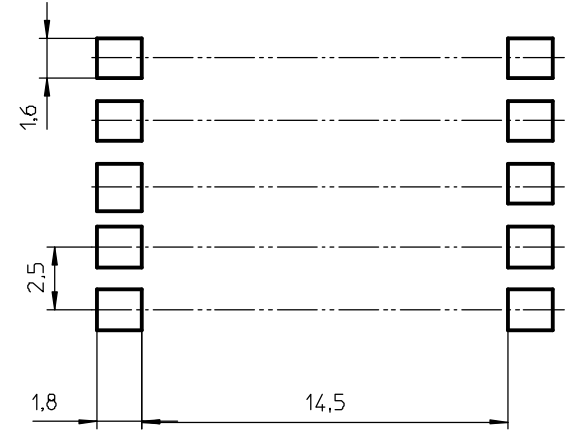
1 2 3 4 5 6 7 8

a
b
c
d
e
f

a
b
c
d



PROPOSED PAD ARRANGEMENT



Coil former material: Sumikasuper E4008 (LCP), glass-reinforced,
UL file number: E54705(M) - UL94V-0

Pin material: CuSn - Ni flash, Sn plated.

Max. operating temp.: acc. to IEC 60 085 class F, 155°C.

Resistance to soldering heat: acc. to IEC 60 068-2-20 Part 2, Test Tb, method 1B, 350°C - 3,5s

Solderability: acc. to IEC 60 068-2-20 Part 2, Test Ta, method 1, 235°C - 2s

Min. winding area: 13,1 mm².

Mean length of turn: 23,8 mm

| | | | | | | | |
|-----------|-------------|--------------------|----------|----------------|-----|-------------------|-----|
| CLASS NO. | | CPHS-EP13-1S-10P-Z | | 4322 021 06181 | | 03-02-25 | |
| NAME | J. J. J. J. | SUPERS | 112 | 001 | 112 | 001 | 069 |
| MPA | CHECK | DATE | 03-02-25 | Property of | | © FERROXCUBE 2000 | |
| | | | | | | A3 | |

1 2 3 4