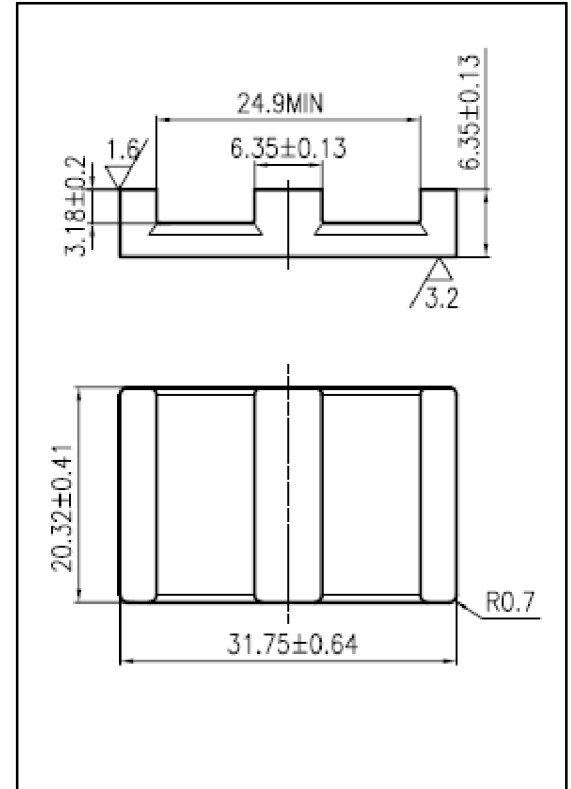


CORE SETS

Effective core parameters

SYMBOL	PARAMETER	VALUE	UNIT
$\Sigma (1/A)$	core factor (C_1)	0.32	mm^{-1}
V_e	effective volume	5379.30	mm^3
l_e	effective length	41.70	mm
A_e	effective area	129.00	mm^2
A_{\min}	minimum area	128.60	mm^2
W_t	mass of core set	≈ 26.5	g



Characteristic

GRADE	AL (nH/N^2)	B (mT)	CORE LOSS (W)
	f=10kHz U=0.25V	H=250A/m f=25kHz T=100°C	f=100kHz B=200mT T=100°C
DMR40	$6200 \pm 25\%$	≥ 315	≤ 4.53
DMR44	$6200 \pm 25\%$	≥ 315	≤ 3.50
DMR95	$7500 \pm 25\%$	≥ 315	≤ 3.12